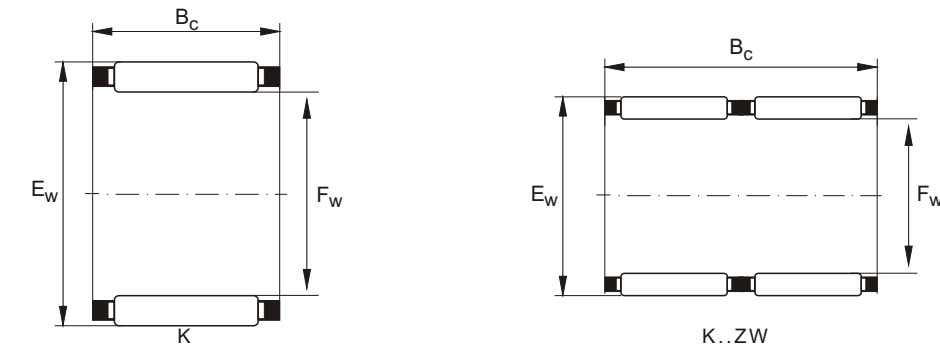
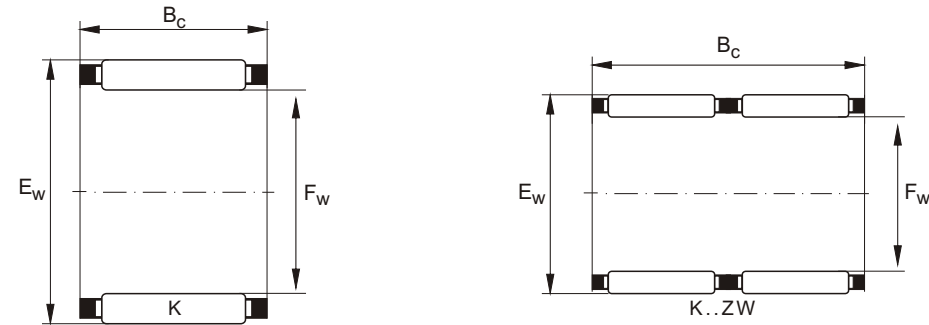


Shaft Diameter (mm)	Bearing Number	Weight ≈ g	Principal dimensions (mm)			Basic Load Rating (kN)		Limiting Speed r/min	Rotating Speed r/min
			F _w	E _w	B _c	Dynamic C	Static C ₀		
3	K 3×5×7 TN	0.3	3	5	7	1.54	1.29	50000	90000
	K 3×5×9 TN	0.4	3	5	9	1.71	1.48	50000	95000
	K 3×6×7 TN	0.4	3	6	7	1.40	0.97	47000	85000
4	K 4×7×7 TN	0.5	4	7	7	1.74	1.27	43000	70000
	K 4×7×10 TN	0.7	4	7	10	2.33	1.84	43000	70000
5	K 5×8×8 TN	0.7	5	8	8	2.35	1.92	39000	55000
	K 5×8×10 TN	0.9	5	8	10	3.00	2.65	39000	55000
6	K 6×9×8 TN	0.8	6	9	8	2.60	2.28	37000	48000
	K 6×9×10 TN	1.1	6	9	10	3.35	3.15	37000	47000
	K 6×10×13 TN	1.9	6	10	13	3.80	3.10	35000	46000
7	K 7×9×7 TN	0.6	7	9	7	1.73	1.77	35000	46000
	K 7×10×8 TN	0.9	7	10	8	2.85	2.65	34000	42000
	K 7×10×10 TN	1.0	7	10	10	3.65	3.60	34000	41000
8	K 8×11×8 TN	1.0	8	11	8	3.10	3.00	32000	37000
	K 8×11×10 TN	1.2	8	11	10	3.95	4.10	32000	36000
	K 8×11×13 TN	1.7	8	11	13	5.10	5.80	32000	36000
9	K 8×12×10 TN	2.0	8	12	10	5.00	4.70	32000	32000
	K 9×12×10 TN	1.5	9	12	10	4.50	5.00	31000	32000
10	K 9×12×13 TN	2.1	9	12	13	5.90	7.10	31000	31000
	K 10×13×10 TN	1.6	10	13	10	4.75	5.50	29000	29000
10	K 10×13×13 TN	2.3	10	13	13	6.20	7.80	29000	29000
	K 10×13×16 TN	2.9	10	13	16	7.10	9.30	29000	29000
	K 10×14×10 TN	2.5	10	14	10	5.80	6.00	29000	27000
10	K 10×14×13 TN	4.6	10	14	13	7.50	8.40	29000	27000
	K 10×16×12 TN	5.5	10	16	12	8.10	7.20	28000	25000
	K 12×15×10 TN	2.9	12	15	10	4.90	6.10	27000	25000
12	K 12×15×13 TN	2.3	12	15	13	6.40	8.50	27000	25000
	K 12×16×13 TN	5.5	12	16	13	8.00	9.40	27000	23000
	K 12×17×13 TN	4.9	12	17	13	9.60	10.40	26000	22000
12	K 12×18×12 TN	6.0	12	18	12	10.00	9.90	26000	21000



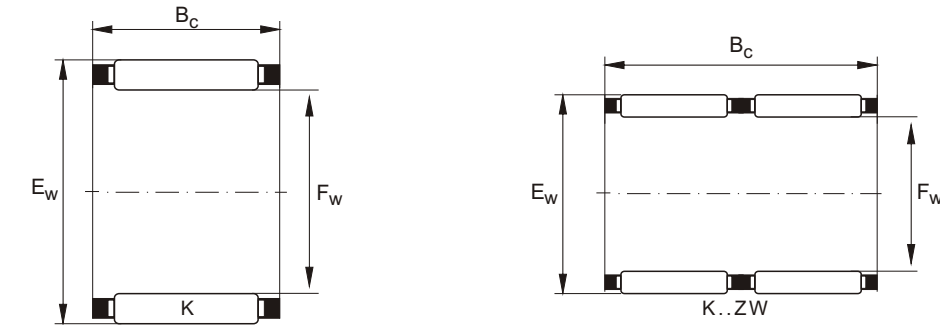
Shaft Diameter (mm)	Bearing Number	Weight ≈ g	Principal dimensions (mm)			Basic Load Rating (kN)		Limiting Speed r/min	Rotating Speed r/min
			F _w	E _w	B _c	Dynamic C	Static C ₀		
14	K 14×18×10	4.0	14	18	10	7.1	8.5	25000	20000
	K 14×18×13	6.5	14	18	13	8.2	10.1	25000	21000
	K 14×18×15 TN	5.0	14	18	15	9.5	12.3	25000	20000
14	K 14×18×17	8.0	14	18	17	10.8	14.4	25000	20000
	K 14×20×12	8.5	14	20	12	10.3	10.6	25000	19000
	K 15×18×17 TN	4.6	15	18	17	8.0	12.1	24000	21000
15	K 15×19×10	5.0	15	19	10	7.5	9.2	25000	19000
	K 15×19×13	7.0	15	19	13	8.5	10.9	24000	19000
	K 15×19×17	9.5	15	19	17	11.3	15.6	24000	19000
15	K 15×20×13	7.0	15	20	13	9.9	11.5	24000	19000
	K 15×21×15	11.0	15	21	15	14.3	16.4	24000	17000
	K 15×21×21	17.0	15	21	21	19.4	24.3	24000	17000
16	K 16×20×10	5.5	16	20	10	7.8	9.9	24000	18000
	K 16×20×13	7.5	16	20	13	8.9	11.8	24000	18000
	K 16×20×17	10.0	16	20	17	11.7	16.8	24000	18000
16	K 16×22×12	10.0	16	22	12	11.5	12.5	23000	17000
	K 16×22×16	12.0	16	22	16	14.8	17.5	23000	17000
	K 16×22×20	17.0	16	22	20	18.3	22.8	23000	16000
17	K 16×24×20	22.0	16	24	20	21.4	23.5	22000	15000
	K 17×21×10	5.5	17	21	10	8.1	10.6	23000	17000
	K 17×21×13	6.5	17	21	13	10.4	14.6	23000	17000
17	K 17×21×17	9.5	17	21	17	12.2	17.9	23000	17000
	K 18×22×10	6.0	18	22	10	8.4	11.3	22000	16000
	K 18×22×13	8.0	18	22	13	9.2	12.7	22000	17000
18	K 18×22×17	11.0	18	22	17	12.1	18.0	22000	16000
	K 18×24×12	12.0	18	24	12	12.8	14.9	22000	15000
	K 18×24×13	13.0	18	24	13	13.1	15.3	22000	15000
18	K 18×24×20	18.0	18	24	20	20.2	27.0	22000	14000
	K 18×25×22	23.0	18	25	22	23.1	29.0	22000	14000
	K 19×23×13	8.0	19	23	13	9.5	13.5	22000	16000
19	K 19×23×17	11.0	19	23	17	12.5	19.2	22000	15000

TN = Plasticcage, Limiting working temperature: +120°C (Continuous working)

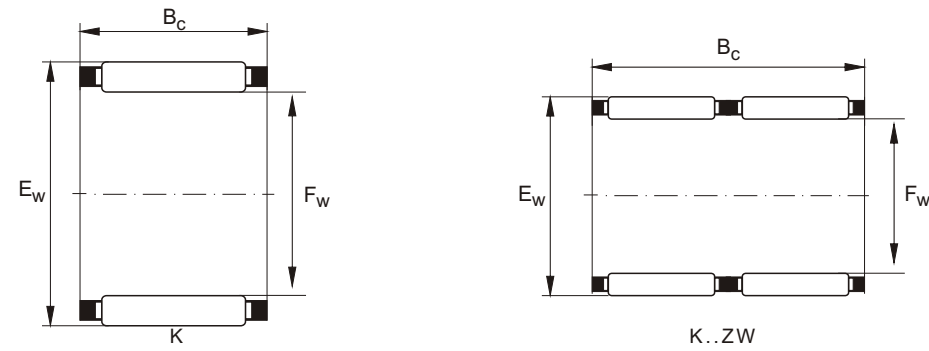


Shaft Diameter (mm)	Bearing Number	Weight ≈ g	Principal dimensions (mm)			Basic Load Rating (kN)		Limiting Speed r/min	Rotating Speed r/min
			F _w	E _w	B _c	Dynamic C	Static C ₀		
20	K 20×24×10	6.5	20	24	10	8.9	12.6	21000	15000
	K 20×24×13	9.0	20	24	13	9.8	14.3	21000	15000
	K 20×24×17	12.0	20	24	17	12.9	20.4	21000	15000
	K 20×26×12	11.0	20	26	12	31.4	16.2	21000	13000
	K 20×26×13	12.0	20	26	13	14.4	17.9	21000	14000
	K 20×26×17	16.0	20	26	17	19.2	26.0	21000	13000
	K 20×26×20	19.0	20	26	20	21.1	29.0	21000	13000
	K 20×28×16	20.0	20	28	16	19.8	22.4	20000	13000
	K 20×28×20	27.0	20	28	20	23.9	28.5	20000	13000
	K 20×28×25	32.0	20	28	25	30.5	39.0	20000	13000
	K 20×30×30	49.0	20	30	30	35.5	41.5	20000	13000
	21	K 21×25×13	9.0	21	25	13	10.1	15.1	21000
22	K 22×26×10	7.5	22	26	10	9.1	13.4	20000	13000
	K 22×26×13	9.5	22	26	13	10.4	15.9	20000	14000
	K 22×26×17	12.0	22	26	17	13.7	22.7	20000	13000
	K 22×28×17	18.0	22	28	17	19.4	27.0	20000	12000
	K 22×29×16	16.0	22	29	16	20.0	25.5	19000	12000
	K 22×30×15 TN	18.0	22	30	15	20.1	23.4	19000	12000
	K 22×32×24	43.0	22	32	24	34.0	40.0	18000	11000
	23	K 23×35×16 TN	29.0	23	35	16	24.5	23.9	17000
24	K 24×28×10	8.5	24	28	10	9.6	14.8	19000	12000
	K 24×28×13	10.0	24	28	13	11.0	17.6	19000	13000
	K 24×28×17	13.0	24	28	17	14.5	25.0	19000	12000
	K 24×30×17	19.0	24	30	17	19.5	27.5	18000	12000
	K 24×30×31 ZW	32.0	24	30	31	27.5	43.5	18000	12000

TN = Plasticcage, Limiting working temperature: +120°C (Continuous working)

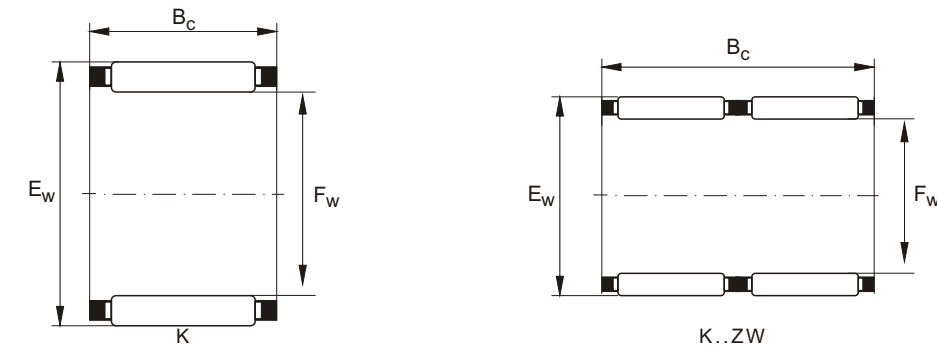


Shaft Diameter (mm)	Bearing Number	Weight ≈ g	Principal dimensions (mm)			Basic Load Rating (kN)		Limiting Speed r/min	Rotating Speed r/min
			F _w	E _w	B _c	Dynamic C	Static C ₀		
25	K 25×29×10	8.5	25	29	10	9.9	15.4	18000	12000
	K 25×29×13	11.0	25	29	13	11.3	18.4	18000	12000
	K 25×29×17	14.0	25	29	17	14.9	26.0	18000	12000
	K 25×30×17	16.0	25	30	17	18.7	30.0	18000	11000
	K 25×30×20	18.0	25	30	20	21.7	36.5	18000	11000
	K 25×30×26 ZW	19.0	25	30	26	21.4	35.5	18000	12000
	K 25×31×17	19.0	25	31	17	19.6	28.5	18000	11000
	K 25×31×21	20.0	25	31	21	24.7	38.0	18000	11000
	K 25×32×16	21.0	25	32	16	20.8	27.5	17000	11000
	K 25×33×20	33.0	25	33	20	28.5	38.0	17000	11000
	K 25×33×24	39.0	25	33	24	34.0	47.0	17000	10000
	K 25×35×30	65.0	25	35	30	47.0	62.0	16000	10000
26	K 26×30×13	11.0	26	30	13	11.6	19.2	18000	12000
	K 26×30×17	15.0	26	30	17	15.2	27.5	18000	12000
	K 26×30×22 ZW	12.0	26	30	22	15.7	28.5	18000	12000
28	K 28×33×13	13.0	28	33	13	15.3	24.2	16000	10000
	K 28×33×17	17.0	28	33	17	19.7	33.5	16000	10000
	K 28×34×17	24.0	28	34	17	21.8	33.5	16000	10000
	K 28×35×16	24.0	28	35	16	21.5	29.5	16000	10000
	K 28×35×18	27.0	28	35	18	24.0	34.0	16000	10000
	K 28×40×25	70.0	28	40	25	45.5	55.0	14000	9000
30	K 30×34×13	14.0	30	34	13	12.3	21.7	15000	10000
	K 30×35×13	14.0	30	35	13	15.6	25.5	15000	10000
	K 30×35×17	19.0	30	35	17	19.6	34.0	15000	10000
	K 30×35×27	30.0	30	35	27	30.5	59.0	15000	9500
	K 30×37×16	27.0	30	37	16	23.1	33.5	15000	9500
	K 30×37×18	30.0	30	37	18	26.0	38.5	15000	9500
	K 30×40×18	48.0	30	40	18	32.0	40.0	14000	9000
	K 30×40×30	73.0	30	40	30	49.0	69.0	15000	9000



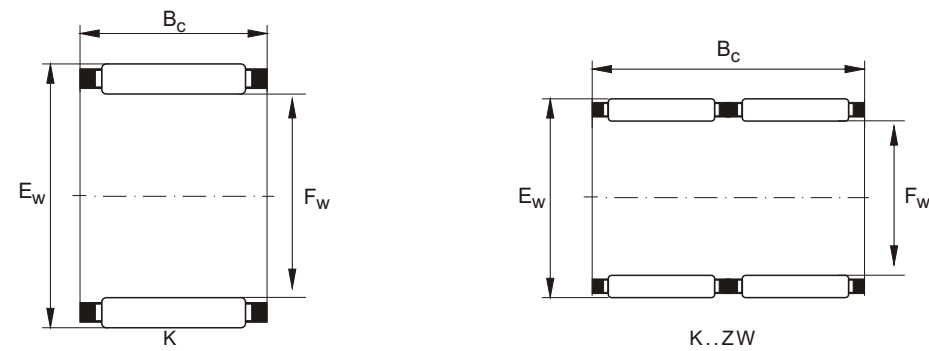
Shaft Diameter (mm)	Bearing Number	Weight ≈ g	Principal dimensions (mm)			Basic Load Rating (kN)		Limiting Speed r/min	Rotating Speed r/min
			F _w	E _w	B _c	Dynamic C	Static C ₀		
32	K 32×37×13	18	32	37	13	15.5	25.5	14000	9500
	K 32×37×17	19	32	37	17	19.9	35.5	14000	9500
	K 32×37×27	30	32	37	27	30.0	60.0	14000	9000
	K 32×38×20	30	32	38	20	26.5	45.0	14000	9000
	K 32×39×16	37	32	39	16	23.8	35.5	14000	9000
	K 32×39×18	31	32	39	18	26.5	41.0	14000	9000
	K 32×40×25	49	32	40	25	37.5	58.0	14000	8500
	K 32×40×42 ZW TN	77	32	40	42	50.0	84.0	14000	9000
	K 32×46×32	119	32	46	32	66.0	84.0	13000	8000
	35	K 35×40×13	19	35	40	13	16.2	28.0	13000
K 35×40×17		21	35	40	17	20.8	38.5	13000	8500
K 35×40×25		31	35	40	25	29.5	60.0	13000	8500
K 35×40×27 TN		39	35	40	27	25.0	48.5	13000	9000
K 35×42×16		34	35	42	16	24.4	37.5	13000	8500
K 35×42×18		34	35	42	18	27.5	43.0	13000	8500
K 35×42×20		37	35	42	20	30.0	49.0	13000	8000
K 35×42×30		67	35	42	30	39.0	68.0	13000	8500
K 35×45×20		56	35	45	20	37.0	50.0	12000	8000
K 35×45×30		80	35	45	30	53.0	79.0	12000	8000
37	K 37×42×17	22	37	42	17	22.4	43.0	12000	8000
38	K 38×43×17	29	38	43	17	20.5	38.5	12000	8000
	K 38×43×27	43	38	43	27	31.5	68.0	12000	8000
	K 38×46×20	47	38	46	20	35.5	57.0	12000	7500
	K 38×46×32	76	38	46	32	55.0	99.0	12000	7500
39	K 39×44×26 ZW	45	39	44	26	27.5	56.0	12000	8000

TN = Plasticcage, Limiting working temperature: +120°C (Continuous working)

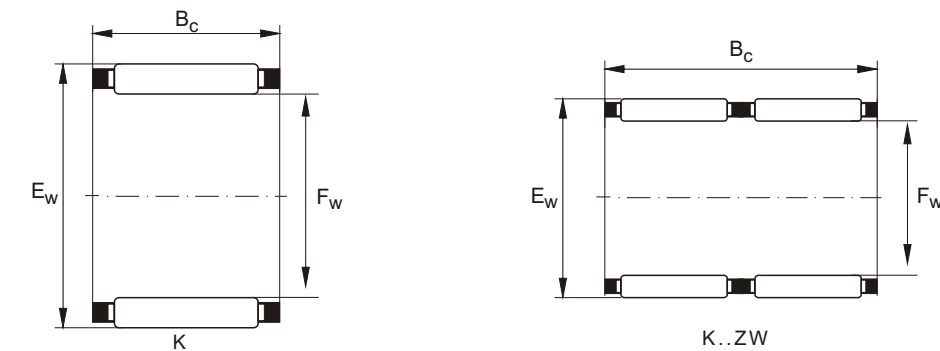


Shaft Diameter (mm)	Bearing Number	Weight ≈ g	Principal dimensions (mm)			Basic Load Rating (kN)		Limiting Speed r/min	Rotating Speed r/min
			F _w	E _w	B _c	Dynamic C	Static C ₀		
40	K 40×45×13	22	40	45	13	17.6	32.5	12000	8000
	K 40×45×17	31	40	45	17	21.4	41.5	12000	8000
	K 40×45×27	46	40	45	27	33.0	73.0	12000	7500
	K 40×47×18	39	40	47	18	29.5	50.0	11000	7500
	K 40×47×20	42	40	47	20	32.5	57.0	11000	7500
	K 40×48×20	49	40	48	20	36.0	59.0	11000	7000
42	K 42×47×13	18	42	47	13	17.8	33.5	11000	7500
	K 42×47×17	32	42	47	17	21.7	43.0	11000	7500
	K 42×47×30 ZW	54	42	47	30	33.5	76.0	11000	7500
	K 42×50×20	53	42	50	20	35.0	57.0	11000	7000
43	K 43×48×17	30	43	48	17	21.6	43.0	11000	7500
	K 43×47×27	50	43	48	27	33.5	75.0	11000	7000
45	K 45×50×17	34	45	50	17	22.5	46.0	10000	7000
	K 45×50×27	51	45	50	27	34.5	80.0	10000	7000
	K 45×52×18	42	45	52	18	31.5	57.0	10000	6500
	K 45×53×20	55	45	53	20	39.0	67.0	10000	6500
	K 45×53×21	60	45	53	21	38.5	67.0	10000	6500
	K 45×53×28	81	45	53	28	52.0	98.0	10000	6500
	K 45×59×18 TN	72	45	59	18	44.0	54.0	9500	6500
	K 45×59×32	148	45	59	32	73.0	103.0	9500	6500
47	K 47×52×17	35	47	52	17	23.3	49.0	10000	7000
	K 47×52×27	51	47	52	27	35.0	83.0	10000	6500

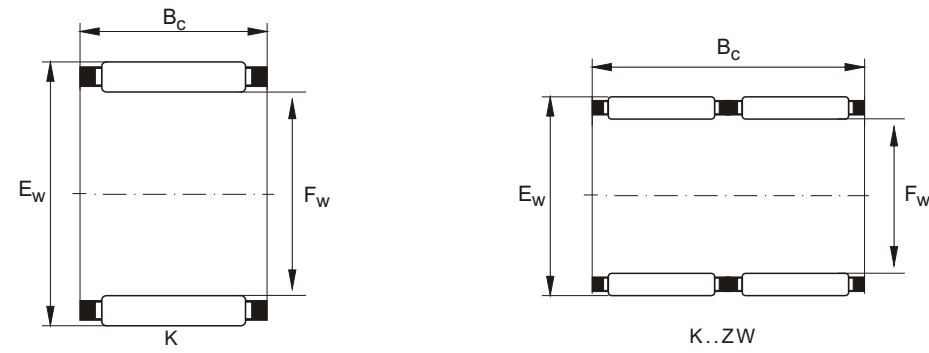
TN = Plasticcage, Limiting working temperature: +120°C (Continuous working)



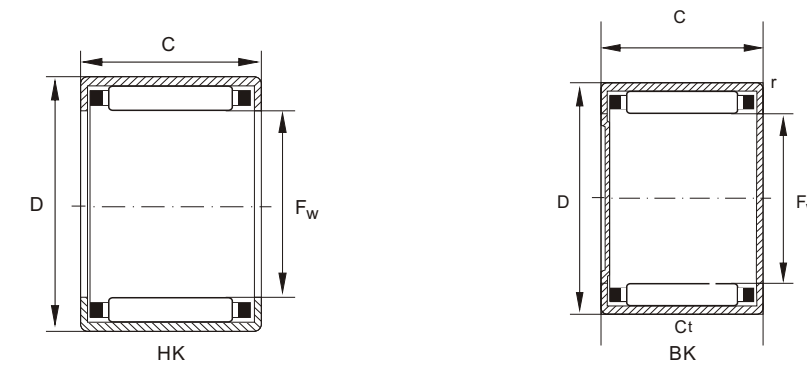
Shaft Diameter (mm)	Bearing Number	Weight ≈ g	Principal dimensions (mm)			Basic Load Rating (kN)		Limiting Speed r/min	Rotating Speed r/min
			F _w	E _w	B _c	Dynamic C	Static C ₀		
50	K 50×55×13.5	30	50	55	13.5	18.2	36.5	9500	6500
	K 50×55×17	35	50	55	17.0	22.1	47.0	9500	6500
	K 50×55×20	43	50	55	20.0	26.5	60.0	9500	6500
	K 50×55×30	65	50	55	30.0	39.0	97.0	9500	6500
	K 50×57×18	47	50	57	18.0	33.5	63.0	9000	6000
	K 50×58×20	75	50	58	20.0	35.5	62.0	9000	6500
	K 50×58×25	90	50	58	25.0	44.0	81.0	9000	6000
52	K 52×57×12	24	52	57	12.0	18.0	36.5	9000	6500
55	K 55×60×20	40	55	60	20.0	28.5	66.0	8500	6000
	K 55×60×27	60	55	60	27.0	38.0	97.0	8500	6000
	K 55×60×30	71	55	60	30.0	41.0	108.0	8500	6000
	K 55×62×18	52	55	62	18.0	35.5	70.0	8500	5500
	K 55×63×20	67	55	63	20.0	40.0	74.0	8500	5500
	K 55×63×25	80	55	63	25.0	51.0	101.0	8500	5500
	K 55×63×32	102	55	63	32.0	62.0	130.0	8500	5500
58	K 58×65×18	52	58	65	18.0	35.0	70.0	8000	5500
	K 58×65×36 ZW	127	58	65	36.0	49.0	107.0	8000	6000
60	K 60×65×20	52	60	65	20.0	29.5	72.0	8000	5500
	K 60×65×30	77	60	65	30.0	42.5	116.0	8000	5500
	K 60×66×33 ZW	104	60	66	33.0	46.0	112.0	8000	5500
	K 60×66×40 ZW	116	60	66	40.0	58.0	151.0	8000	5500
	K 60×68×20	71	60	68	20.0	43.5	85.0	7500	5000
	K 60×68×23	94	60	68	23.0	49.5	101.0	7500	5000
	K 60×68×25	89	60	68	25.0	53.0	111.0	7500	5000
62	K 60×68×30 ZW	129	60	68	30.0	44.5	88.0	7500	6000
	K 60×75×42	240	60	75	42.0	118.0	199.0	7500	4800
	K 62×70×40 ZW	174	62	70	40.0	66.0	146.0	7500	5500
64	K 64×70×16	53	64	70	16.0	28.0	60.0	7500	5500



Shaft Diameter (mm)	Bearing Number	Weight ≈ g	Principal dimensions (mm)			Basic Load Rating (kN)		Limiting Speed r/min	Rotating Speed r/min
			F _w	E _w	B _c	Dynamic C	Static C ₀		
65	K 65×70×20	56	65	70	20	30.5	77	7500	5000
	K 65×70×30	83	65	70	30	44.0	127.4	7500	5000
	K 65×73×23	108	65	73	23	46.0	94	7000	5000
	K 65×73×30	141	65	73	30	57.0	123	7000	5000
68	K 68×74×20	71	68	74	20	35.5	84	7000	5000
	K 68×74×30	100	68	74	30	46.5	118	7000	5000
	K 68×74×35 ZW	120	68	74	35	48.5	125	7000	5000
70	K 70×76×20	71	70	76	20	36.0	86	6500	4900
	K 70×76×30	110	70	76	30	52.0	139	6500	4700
	K 70×78×30	148	70	78	30	60.0	135	6500	4700
72	K 72×80×20	98	72	80	20	41.5	85	6500	4700
73	K 73×79×20	75	73	79	20	37.0	90	6500	4700
75	K 75×81×20	79	75	81	20	37.5	94	6500	4600
	K 75×81×30	114	75	81	30	52.0	143	6500	4500
	K 75×83×23	124	75	83	23	50.0	109	6000	4500
	K 75×83×30	147	75	83	30	62.0	143	6000	4500
80	K 75×83×35 ZW	182	75	83	35	63.0	147	6000	4700
	K 75×83×40 ZW	211	75	83	40	73.0	177	6000	4600
	K 80×86×20	60	80	86	20	38.5	98	6000	4400
	K 80×88×30	138	80	88	30	71.0	176	6000	4000
85	K 80×88×40 ZW	227	80	88	40	76.0	192	6000	4300
	K 80×88×46 ZW	260	80	88	46	88.0	231	6000	4300
	K 85×92×20	102	85	92	20	44.5	108	5500	4100
90	K 90×97×20	109	90	97	20	45.0	113	5000	3900
	K 90×98×27	150	90	98	27	61.0	150	5000	3900
	K 90×98×30	172	90	98	30	68.0	172	5000	3900
95	K 95×103×30	165	95	103	30	69.0	180	4900	3700
	K 95×103×40 ZW	266	95	103	40	83.0	228	4900	3800

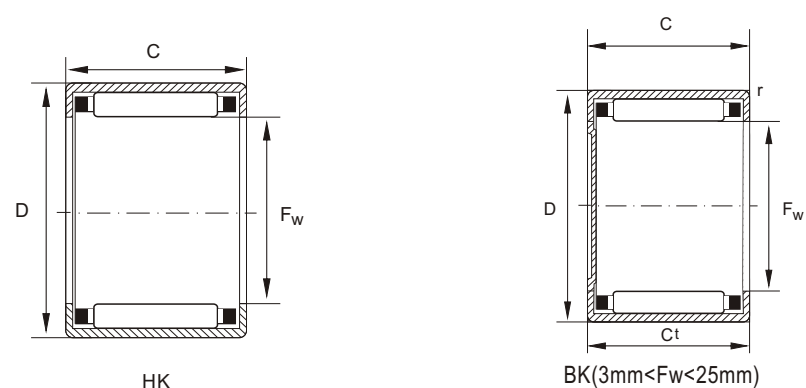


Shaft Diameter (mm)	Bearing Number	Weight ≈ g	Principal dimensions (mm)			Basic Load Rating (kN)		Limiting Speed r/min	Rotating Speed r/min
			F _w	E _w	B _c	Dynamic C	Static C ₀		
100	K 100×107×21	120	100	107	21	48	127	4700	3600
	K 100×108×27	185	100	108	27	57	143	4700	3800
	K 100×108×30	180	100	108	30	71	188	4700	3600
105	K 105×112×21	129	105	112	21	47.5	127	4500	3500
110	K 110×117×24	172	110	117	24	56	158	4300	3400
	K 110×118×30	217	110	118	30	78	219	4300	3200
115	K 115×123×27	200	115	123	27	63	170	4100	3300
120	K 120×127×24	165	120	127	24	59	174	4000	3100
125	K 125×133×35	275	125	133	35	86	260	3800	2900
130	K 130×137×24	170	130	137	24	61	186	3700	3000
135	K 135×143×35	300	135	143	35	91	290	3500	2700
145	K 145×153×26	262	145	153	26	74	225	3300	2700
150	K 150×160×46	570	150	160	46	147	470	3200	2100
155	K 155×163×26	265	155	163	26	75	236	3100	2600
160	K 160×170×46	550	160	170	46	152	510	3000	2000
165	K 165×173×26	320	165	173	26	81	265	2900	2300
175	K 175×183×32	400	175	183	32	99	350	2700	2100
185	K 185×195×37	607	185	195	37	128	245	2600	1900
195	K 195×205×37	620	195	205	37	133	450	2500	1800
210	K 210×220×42	740	210	220	42	154	560	2300	1600
220	K 220×230×42	790	220	230	42	158	590	2200	1500
240	K 240×250×42	850	240	250	42	164	630	2000	1400
265	K 265×280×50	1810	265	280	50	255	860	1800	1100

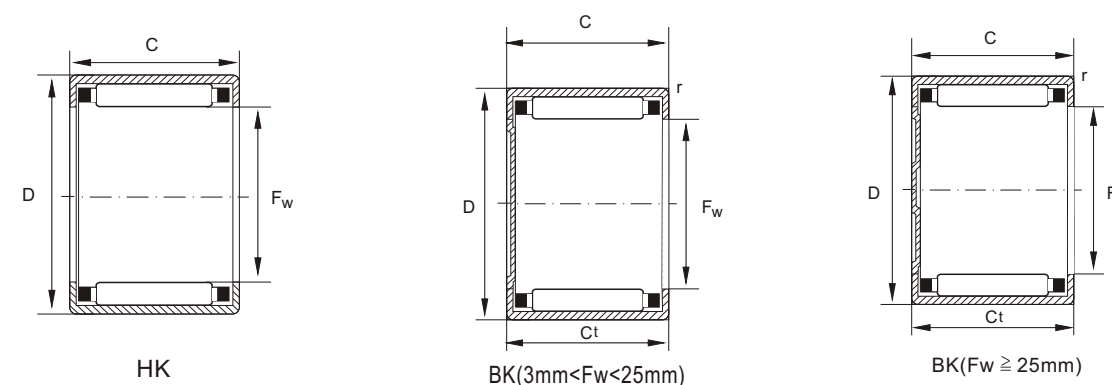


Shaft Diameter (mm)	Principal dimensions (mm)					Open end design		Closed end design	
	F _w	D	C	C _t min	r min	Bearing Number	Weight ≈ g	Bearing Number	Weight ≈ g
3	3	6.5	6	5.2	0.3	+HK 0306 TN	1.0	+BK 0306 TN	1.0
4	4	8	8	6.4	0.3	+HK 0408	2.0	+BK 0408	2.1
5	5	9	9	7.4	0.4	+HK 0509	2.0	+BK 0509	2.1
6	6	10	8	-	0.4	+HK 0608	2.1	-	-
	6	10	9	7.4	0.4	HK 0609	2.5	BK 0609	2.6
7	7	11	9	7.4	0.4	HK 0709	2.6	BK 0709	2.9
8	8	12	8	6.4	0.4	HK 0808	2.7	BK 0808	3.0
	8	12	10	8.4	0.4	HK 0810	3.0	BK 0810	3.4
9	9	13	8	-	0.4	HK 0908	3.0	-	-
	9	13	10	8.4	0.4	HK 0910	4.0	BK 0910	4.3
	9	13	12	10.4	0.4	HK 0912	4.6	BK 0912	4.9
10	10	14	10	8.4	0.4	HK 1010	4.1	BK 1010	4.3
	10	14	12	10.4	0.4	HK 1012	4.8	BK 1012	5.0
	10	14	15	13.4	0.4	HK 1015	6.0	BK 1015	6.2
12	12	16	10	8.4	0.4	HK 1210	4.6	BK 1210	5.2
	12	18	12	9.3	0.8	HK 1212	9.0	BK 1212	10.0
13	13	19	12	9.3	0.8	HK 1312	10.0	BK 1312	11.0
14	14	20	12	9.3	0.8	HK 1412	10.5	BK 1412	12.0
15	15	21	12	9.3	0.8	HK 1512	11.0	BK 1512	13.0
	15	21	16	13.3	0.8	HK 1516	15.0	BK 1516	17.0
	15	22	22	-	0.8	°HK 1522	20.0	-	-
16	16	22	12	9.3	0.8	HK 1612	12.0	BK 1612	14.0
	16	22	16	13.3	0.8	HK 1616	16.0	BK 1616	18.0
	16	23	22	19.3	0.8	°HK 1622	22.0	°BK 1622	24.0
17	17	24	12	-	0.8	HK 1712	12.0	-	-
18	18	24	12	9.3	0.8	HK 1812	13.0	BK 1812	15.0
	18	26	16	13.3	0.8	HK 1816	18.0	BK 1816	20.0
20	20	26	10	-	0.8	HK 2010	12.0	-	-
	20	26	12	-	0.8	HK 2012	14.0	-	-
	20	26	16	13.3	0.8	HK 2016	19.0	BK 2016	22.0
	20	26	20	17.3	0.8	HK 2020	24.0	BK 2020	27.0
	20	26	30	-	0.8	°HK 2030	35.0	-	-
22	22	28	10	-	0.8	HK 2210	13.0	-	-
	22	28	12	9.3	0.8	HK 2212	15.0	BK 2212	18.0
	22	28	16	13.3	0.8	HK 2216	21.0	BK 2216	24.0
	22	28	20	-	0.8	HK 2220	26.0	-	-

TN = Plastic cage, Limiting working temperature: +120°C (Continuous working)
 +Without oil hole
 ° With double-row oil holes are of standard type

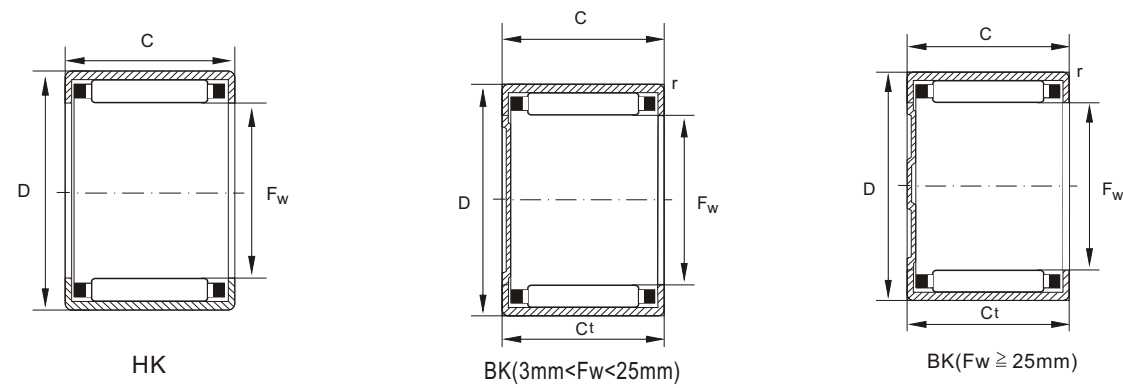


Basic Load Rating (kN)		Limiting Speed r/min	Rotating Speed r/min	Shaft Diameter (mm)
Dynamic C	Static Co			
1.23	0.84	46000	65000	3
1.78	1.31	41000	50000	4
2.40	1.99	38000	42000	5
2.03	1.65	35000	36000	6
2.85	2.60	35000	35000	7
3.10	2.95	31000	31000	
2.75	2.60	28000	27000	8
3.80	3.95	28000	27000	
3.55	3.75	25000	23000	9
4.25	4.65	25000	24000	
5.30	6.30	25000	23000	10
4.40	5.10	23000	22000	
5.50	6.80	23000	21000	12
6.80	8.80	23000	21000	
4.95	6.20	20000	18000	13
6.50	7.30	19000	18000	
6.80	7.90	18000	17000	14
7.10	8.50	16000	16000	
7.90	9.40	16000	14000	15
10.50	14.40	16000	14000	
13.40	19.50	16000	14000	16
7.60	9.70	15000	14000	
10.90	15.30	15000	13000	17
13.10	19.40	15000	14000	
7.90	10.30	14000	13000	18
8.10	10.90	13000	12000	
11.60	17.30	13000	12000	20
6.40	8.20	12000	12000	
8.60	12.10	12000	11000	22
12.70	20.10	12000	11000	
15.70	26.00	12000	11000	20
21.80	40.00	12000	11000	
7.50	10.50	11000	10000	22
9.10	13.40	11000	10000	
13.40	22.10	11000	10000	20
16.50	29.00	11000	10000	

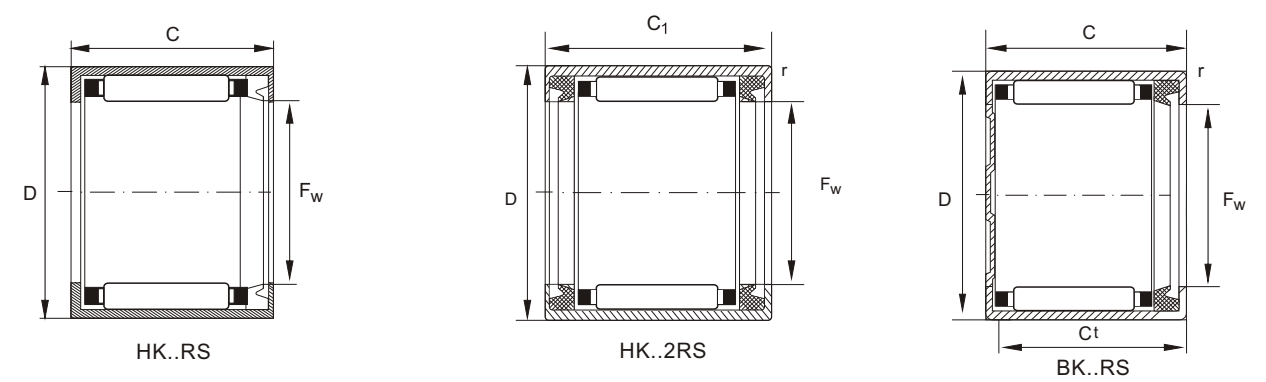


Shaft Diameter (mm)	Principal dimensions (mm)					Open end design		Closed end design	
	Fw	D	C	Ct min	r min	Bearing Number	Weight ≈ g	Bearing Number	Weight ≈ g
25	25	32	12	-	0.8	HK 2512	20	-	-
	25	32	16	-	0.8	HK 2516	27	-	-
25	25	32	20	17.3	0.8	HK 2520	33	BK 2520	38
	25	32	26	23.3	0.8	HK 2526	44	BK 2526	48
25	25	32	38	35.3	0.8	°HK 2538	64	°BK 2538	68
	28	35	16	-	0.8	HK 2816	29	-	-
28	28	35	20	-	0.8	HK 2820	36	-	-
	30	37	12	9.3	0.8	HK 3012	23	BK 3012	28
30	30	37	16	13.3	0.8	HK 3016	31	BK 3016	38
	30	37	20	17.3	0.8	HK 3020	39	BK 3020	47
30	30	37	26	23.3	0.8	HK 3026	51	BK 3026	58
	30	37	38	35.3	0.8	°HK 3038	76	°BK 3038	84
35	35	42	12	-	0.8	HK 3512	27	-	-
	35	42	16	-	0.8	HK 3516	36	-	-
35	35	42	20	17.3	0.8	HK 3520	44	BK 3520	53
	40	47	12	-	0.8	HK 4012	30	-	-
40	40	47	16	-	0.8	HK 4016	39	-	-
	40	47	20	17.3	0.8	HK 4020	54	BK 4020	62
45	45	52	12	-	0.8	HK 4512	33	-	-
	45	52	16	-	0.8	HK 4516	46	-	-
45	45	52	20	17.3	0.8	HK 4520	56	BK 4520	72
	50	58	20	-	0.8	HK 5020	70	-	-
50	50	58	25	-	0.8	HK 5025	90	-	-
	55	63	20	-	0.8	HK 5520	74	-	-
55	55	63	28	-	0.8	HK 5528	105	-	-
	60	68	12	-	0.8	HK 6012	49	-	-
60	60	68	20	-	0.8	HK 6020	81	-	-
	60	68	32	-	0.8	HK 6032	136	-	-

TN = Plastic cage, Limiting working temperature: +120°C (Continuous working)
 +Without oil hole
 ° With double-row oil holes are of standard type

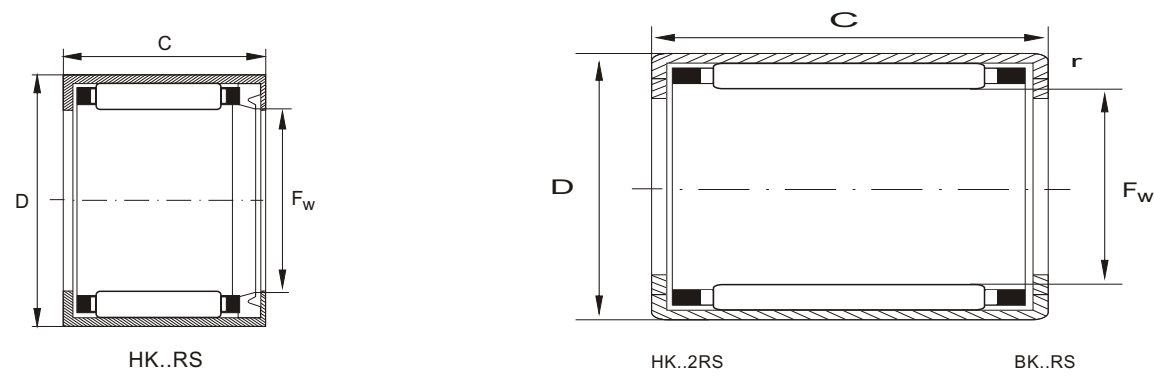


Basic Load Rating (kN)		Limiting Speed r/min	Rotating Speed r/min	Shaft Diameter (mm)
Dynamic C	Static Co			
11.0	15.2	10000	9000	25
15.6	24.0	10000	9000	
19.9	33.0	10000	8500	
25.5	45.0	10000	8500	
34.0	66.0	10000	8500	
16.4	26.5	9000	8000	28
20.9	36.0	9000	8000	
12.1	18.2	8500	7500	30
17.2	29.0	8500	7500	
22.0	39.5	8500	7500	
28.0	54.0	8500	7500	
37.5	79.0	8500	7500	
13.1	21.3	7500	6600	35
18.7	33.5	7500	6500	
23.8	46.0	7500	6500	
14.0	24.3	6500	6000	40
20.0	38.5	6500	6000	
25.5	52.0	6500	5500	
14.9	27.5	6000	5500	
21.3	43.0	6000	5500	45
27.0	59.0	6000	5000	
31.0	63.0	5000	4700	
38.5	84.0	5000	4700	50
31.5	67.0	4700	4400	
44.0	103.0	4700	4300	
17.4	32.0	4400	4300	60
33.5	75.0	4400	4100	
53.0	135.0	4400	4000	

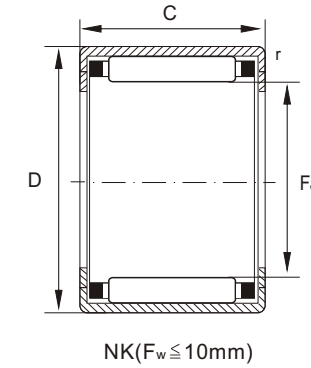


Shaft Diameter (mm)	Principal dimensions (mm)						Open end design				Closed end design	
	Fw	D	C	C1	Ct min	r min	One side seal number	Weight ≈ g	Two sides seals number	Weight ≈ g	One side seal number	Weight ≈ g
8	8	12	10	12	-	0.4	HK 0810 RS	3	HK 0812.2 RS	3.3	-	-
10	10	14	12	14	-	0.4	HK 1012 RS	4.2	HK 1014.2 RS	4.6	-	-
12	12	18	14	16	-	0.8	HK 1214 RS	10	HK 1216.2 RS	11	-	-
14	14	20	14	16	11.3	0.8	HK 1414 RS	12	HK 1416.2 RS	13	BK 1414 RS	13
15	15	21	14	16	-	0.8	HK 1514 RS	12	HK 1516.2 RS	15	-	-
16	15	21	18	20	-	0.8	HK 1518 RS	16	HK 1520.2 RS	18	-	-
16	16	22	14	16	11.3	0.8	HK 1614 RS	13	HK 1616.2 RS	14	BK 1614 RS	15
18	16	22	-	20	-	0.8	-	-	HK 1620.2 RS	18	-	-
18	18	24	14	16	-	0.8	HK 1814 RS	14	HK 1816.2 RS	15	-	-
20	20	26	-	16	-	0.8	-	-	HK 2016.2 RS	18	-	-
20	20	26	18	20	15.3	0.8	HK 2018 RS	21	HK 2020.2 RS	23	BK 2018 RS	24
22	22	28	14	16	-	0.8	HK 2214 RS	16	HK 2216.2 RS	18	-	-
22	22	28	18	20	-	0.8	HK 2218 RS	24	HK 2220.2 RS	26	-	-
25	25	32	-	16	-	0.8	-	-	HK 2516.2 RS	27	-	-
25	25	32	18	20	15.3	0.8	HK 2518 RS	29	HK 2520.2 RS	31	BK 2518 RS	34
25	25	32	-	24	-	0.8	-	-	HK 2524.2 RS	40	-	-
25	25	32	-	30	-	0.8	-	-	HK 2530.2 RS	47	-	-
28	28	35	18	20	-	0.8	HK 2818 RS	31	HK 2820.2 RS	34	-	-
30	30	37	-	16	-	0.8	-	-	HK 3016.2 RS	31	-	-
30	30	37	18	20	-	0.8	HK 3018 RS	37	HK 3020.2 RS	36	-	-
30	30	37	-	24	-	0.8	-	-	HK 3024.2 RS	44	-	-
35	35	42	-	16	-	0.8	-	-	HK 3516.2 RS	32	-	-
35	35	42	18	20	-	0.8	HK 3518 RS	39	HK 3520.2 RS	41	-	-
40	40	47	-	16	-	0.8	-	-	HK 4016.2 RS	37	-	-
40	40	47	18	20	-	0.8	HK 4018 RS	45	HK 4020.2 RS	48	-	-
45	45	52	18	20	-	0.8	HK 4518 RS	50	HK 4520.2 RS	54	-	-
50	50	58	22	24	-	0.8	HK 5022 RS	76	HK 5024.2 RS	81	-	-

¹)Limiting speed with grease lubrication

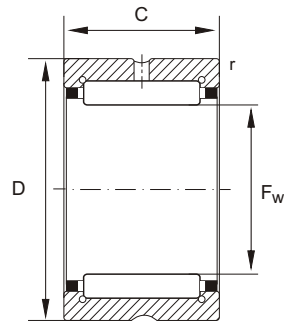


Basic Load Rating (kN)		Limiting Speed r/min	Shaft Diameter (mm)
Dynamic C	Static Co		
2.75	2.6	20000	8
4.40	5.1	17000	10
6.50	7.3	14000	12
7.10	8.5	12000	14
7.80	9.8	11000	15
10.50	14.4	11000	16
7.60	9.7	11000	
10.90	15.3	11000	18
8.10	10.9	9500	
8.60	12.1	8500	20
12.70	20.1	8500	
9.10	13.4	8000	22
13.40	22.1	8000	
11.00	15.2	7000	25
15.60	24.0	7000	
19.90	33.0	7000	28
25.50	45.0	7000	
16.40	26.5	6000	30
12.10	18.2	6000	
17.20	29.0	6000	35
22.00	39.5	6000	
13.10	21.3	5000	40
18.70	33.5	5000	
14.00	24.3	4500	45
20.00	38.5	4500	
21.30	43.0	4000	50
31.00	63.0	3600	



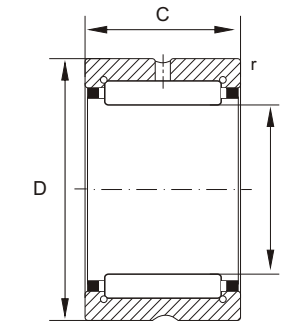
Shaft Diameter (mm)	Principal dimensions (mm)				Bearing Number				Basic Load Rating (kN)		Limiting Speed r/min	Rotating Speed r/min
	Fw	D	C	r min	NK	RNA 49	RNA 69	Weight ≈ g _g	Dynamic C	Static Co		
5	5	10	10	0.15	+NK 5/10 TN	-	-	3.1	2.3	1.92	37000	65000
	5	10	12	0.15	+NK 5/12 TN	-	-	3.7	3.0	2.65	37000	65000
6	6	12	10	0.15	+NK 6/10 TN	-	-	4.7	2.6	2.28	33000	55000
	6	12	12	0.15	+NK 6/12 TN	-	-	5.7	3.3	3.15	33000	55000
7	7	14	10	0.30	+NK 7/10 TN	-	-	6.9	2.8	2.65	31000	50000
	7	14	12	0.30	+NK 7/12 TN	-	-	8.2	3.6	3.60	31000	49000
8	8	15	12	0.30	+NK 8/12 TN	-	-	8.7	3.9	4.10	29000	43000
	8	15	16	0.30	+NK 8/16 TN	-	-	12.0	5.1	5.80	29000	42000
9	9	16	12	0.30	+NK 9/12 TN	-	-	10.3	4.5	5.00	28000	37000
	9	16	16	0.30	+NK 9/16 TN	-	-	12.8	5.9	7.10	28000	37000
10	10	17	12	0.30	+NK 10/12 TN	-	-	10.1	4.7	5.50	27000	34000
	10	17	16	0.30	+NK 10/16 TN	-	-	13.3	6.2	7.80	27000	33000
12	12	19	12	0.30	NK 12/12	-	-	12.1	6.4	7.10	25000	26000
	12	19	16	0.30	NK 12/16	-	-	15.9	9.0	11.00	25000	25000
14	14	22	16	0.30	NK 14/16	-	-	20.7	10.1	11.50	24000	22000
	14	22	20	0.30	NK 14/20	-	-	25.5	12.8	15.80	24000	21000
15	14	22	13	0.30	-	RNA 4900	-	16.5	8.5	9.20	25000	21000
	15	23	16	0.30	NK 15/16	-	-	21.8	10.7	12.70	23000	20000
16	15	23	20	0.30	NK 15/20	-	-	26.6	13.5	17.40	23000	20000
	16	24	16	0.30	NK 16/16	-	-	22.4	11.3	13.90	22000	19000
17	16	24	20	0.30	NK 16/20	-	-	28.4	14.4	18.80	22000	19000
	16	24	13	0.30	-	RNA 4901	-	17.4	9.4	10.90	24000	18000
18	16	24	22	0.30	-	-	RNA 6901	31.0	16.0	21.60	22000	17000
	17	25	16	0.30	NK 17/16	-	-	23.7	11.9	15.00	22000	18000
19	17	25	20	0.30	NK 17/20	-	-	29.8	15.1	20.40	22000	17000
	18	26	16	0.30	NK 18/16	-	-	24.9	12.5	16.20	21000	17000
19	18	26	20	0.30	NK 18/20	-	-	31.4	15.8	22.00	21000	17000
	19	27	16	0.30	NK 19/16	-	-	26.1	13.0	17.40	21000	16000
19	19	27	20	0.30	NK 19/20	-	-	32.2	16.5	23.60	21000	16000

TN = Plasticcage, Limiting working temperature: +120°C (Continuous working)
+With rib, without oil hole and oil groove



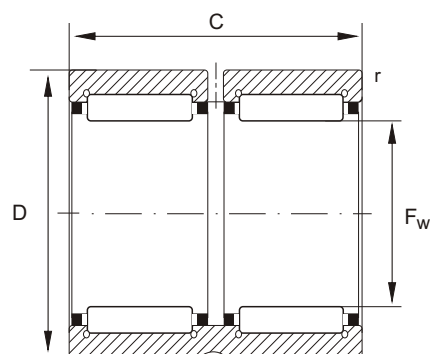
NK($F_w \geq 12\text{mm}$)
NKS
RNA 49, RNA 69($F_w \leq 35\text{mm}$)

Shaft Diameter (mm)	Principal dimensions (mm)				Bearing Number					Basic Load Rating (kN)		Limiting Speed r/min	Rotating Speed r/min
	F _w	D	C	r min	NK	RNA 49	RNA 69	NKS	Weight g	Dynamic C	Static C ₀		
20	20	28	16	0.3	NK 20/16	-	-	-	27.0	13.0	17.5	20000	15000
	20	28	20	0.3	NK 20/20	-	-	-	33.9	16.4	23.8	20000	15000
	20	28	13	0.3	-	RNA 4902	-	-	21.7	10.6	13.6	22000	14000
	20	28	23	0.3	-	-	RNA 6902	-	39.7	17.3	25.5	20000	14000
	20	32	20	0.6	-	-	-	NKS 20	48.7	23.0	25.0	19000	14000
21	21	29	16	0.3	NK 21/16	-	-	-	28.1	13.5	18.7	20000	15000
	21	29	20	0.3	NK 21/20	-	-	-	35.2	17.1	25.5	20000	14000
22	22	30	16	0.3	NK 22/16	-	-	-	30.0	14.0	19.9	19000	14000
	22	30	20	0.3	NK 22/20	-	-	-	37.0	17.7	27.0	19000	14000
	22	30	13	0.3	-	RNA 4903	-	-	22.2	11.0	14.6	21000	13000
	22	30	23	0.3	-	-	RNA 6903	-	42.4	18.6	29.0	19000	12000
	22	35	20	0.6	-	-	-	NKS 22	61.5	24.5	28.0	17000	13000
24	24	32	16	0.3	NK 24/16	-	-	-	31.9	15.0	22.3	18000	13000
	24	32	20	0.3	NK 24/20	-	-	-	40.0	19.0	30.5	18000	13000
	24	37	20	0.6	-	-	-	NKS 24	65.5	26.0	31.0	16000	12000
25	25	33	16	0.3	NK 25/16	-	-	-	32.6	14.9	22.4	17000	12000
	25	33	20	0.3	NK 25/20	-	-	-	42.0	18.8	30.5	17000	12000
	25	37	17	0.3	-	RNA 4904	-	-	52.3	21.0	25.5	17000	12000
	25	37	30	0.3	-	-	RNA 6904	-	100.0	36.0	51.0	16000	11000
	25	38	20	0.6	-	-	-	NKS 25	68.1	27.5	33.5	16000	11000
26	26	34	16	0.3	NK 26/16	-	-	-	34.0	15.3	23.6	16000	12000
	26	34	20	0.3	NK 26/20	-	-	-	42.0	19.4	32.0	16000	12000
28	28	37	20	0.3	NK 28/20	-	-	-	52.2	22.0	34.0	15000	11000
	28	37	30	0.3	NK 28/30	-	-	-	82.0	33.0	57.0	15000	11000
	28	39	17	0.3	-	RNA 49/22	-	-	50.2	22.8	29.5	16000	10000
	28	39	30	0.3	-	-	RNA 69/22	-	98.0	37.5	55.0	15000	10000
	28	42	20	0.6	-	-	-	NKS 28	83.6	28.5	36.5	14000	10000
29	29	38	20	0.3	NK 29/20	-	-	-	53.7	21.9	34.0	15000	11000
	29	38	30	0.3	NK 29/30	-	-	-	84.3	32.5	57.0	15000	10000
30	30	40	20	0.3	NK 30/20	-	-	-	65.0	22.6	36.0	14000	10000
	30	40	30	0.3	NK 30/30	-	-	-	97.9	33.5	60.0	14000	10000
	30	42	17	0.3	-	RNA 4905	-	-	61.0	23.6	31.5	15000	9500
	30	42	30	0.3	-	-	RNA 6905	-	112.0	39.0	59.0	14000	9000
	30	45	22	0.6	-	-	-	NKS 30	104.0	32.0	40.0	13000	10000
32	32	42	20	0.3	NK 32/20	-	-	-	68.0	23.1	37.5	13000	10000
	32	42	30	0.3	NK 32/30	-	-	-	102.0	34.5	63.0	13000	9500
	32	45	17	0.3	-	RNA 49/28	-	-	73.2	24.4	33.5	13000	9000
	32	45	30	0.3	-	-	RNA 69/28	-	735	40.5	63.0	13000	8500
	32	47	22	0.6	-	-	-	NKS 32	110.0	33.5	43.5	12000	9500



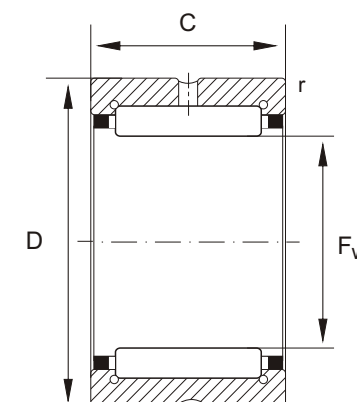
NK.NKS
RNA 49
RNA 69($F_w \leq 35\text{mm}$)

Shaft Diameter (mm)	Principal dimensions (mm)				Bearing Number					Basic Load Rating (kN)		Limiting Speed r/min	Rotating Speed r/min
	F _w	D	C	r min	NK	RNA 49	RNA 69	NKS	Weight g	Dynamic C	Static C ₀		
35	35	45	20	0.3	NK 35/20	-	-	-	73.8	24	41	12000	9000
	35	45	30	0.3	NK 35/30	-	-	-	112.0	36	69	12000	9000
	35	47	17	0.3	-	RNA 4906	-	-	69.4	25	35	13000	8000
	35	47	30	0.3	-	-	RNA 6906	-	126.0	43	71	12000	7500
	35	50	22	0.6	-	-	-	NKS 35	118.0	35	47	12000	8500
37	37	47	20	0.3	NK 37/20	-	-	-	77.0	24	43	12000	8500
	37	47	30	0.3	NK 37/30	-	-	-	113.0	37	73	12000	8500
37	52	22	0.6	-	-	-	NKS 37	123.0	36	50	11000	8500	
38	38	48	20	0.3	NK 38/20	-	-	-	79.4	25	45	11000	8500
	38	48	30	0.3	NK 38/30	-	-	-	116.0	38	76	11000	8000
40	40	50	20	0.3	NK 40/20	-	-	-	82.7	26	47	11000	8000
	40	50	30	0.3	NK 40/30	-	-	-	125.0	39	79	11000	8000
	40	52	20	0.6	-	RNA 49/32	-	-	89.1	30	47	12000	7500
40	52	36	0.6	-	-	RNA 69/32	-	162.0	47	82	11000	7500	
40	55	22	0.6	-	-	-	NKS 40	129.0	38	54	10000	7500	
42	42	52	20	0.3	NK 42/20	-	-	-	85.8	36	49	10000	8000
	42	52	30	0.3	NK 42/30	-	-	-	130.0	39	82	10000	7500
	42	55	20	0.6	-	RNA 4907	-	-	107.0	31	50	11000	7000
	42	55	36	0.6	-	-	RNA 6907	-	193.0	48	86	10000	7000
	43	53	20	0.3	NK 43/20	-	-	-	86.0	27	51	10000	7500
43	53	30	0.3	NK 43/30	-	-	-	133.0	40	85	10000	7500	
43	58	22	0.6	-	-	-	NKS 43	139.0	39	57	9500	7500	
45	45	55	20	0.3	NK 45/20	-	-	-	91.5	27	53	10000	7500
	45	55	30	0.3	NK 45/30	-	-	-	139.0	41	88	10000	7000
	45	60	22	0.6	-	-	-	NKS 45	145.0	40	60	9500	7000
47	47	57	20	0.3	NK 47/20	-	-	-	94.5	28	56	9500	7000
	47	57	30	0.3	NK 47/30	-	-	-	142.0	43	94	9500	7000
48	48	62	22	0.6	-	RNA 4908	-	-	140.0	43	67	9500	6000
	48	62	40	0.6	-	-	RNA 6908	-	256.0	66	116	9000	6500
50	50	62	25	0.6	NK 50/25	-	-	-	158.0	38	74	9000	6500
	50	62	35	0.6	NK 50/35	-	-	-	221.0	50	106	9000	6500
	50	65	22	1.0	-	-	-	NKS 50	157.0	42	67	8500	6500
52	52	68	22	0.6	-	RNA 4909	-	-	182.0	45	73	8500	6000
	52	68	40	0.6	-	-	RNA 6909	-	338.0	69	127	8000	6000
55	55	68	25	0.6	NK 55/25	-	-	-	180.0	40	82	8000	6000
	55	68	35	0.6	NK 55/35	-	-	-	250.0	53	118	8000	6000
	55	72	22	1.0	-	-	-	NKS 55	221.0	45	74	7500	6000
58	58	72	22	0.6	-	RNA 4910	-	-	163.0	47	80	8000	5000
	58	72	40	0.6	-	-	RNA 6910	-	310.0	73	139	7500	5000



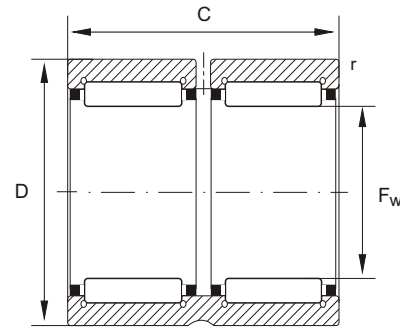
RNA 69($F_w \geq 40\text{mm}$)

Shaft Diameter (mm)	Principal dimensions (mm)				Bearing Number				Weight \approx g	Basic Load Rating (kN)		Limiting Speed r/min	Rotating Speed r/min
	F_w	D	C	r min	NK	RNA 49	RNA 69	NKS		Dynamic C	Static C_o		
60	60	72	25	0.6	NK 60/25	-	-	-	185	42	90	7500	5500
	60	72	35	0.6	NK 60/35	-	-	-	258	56	130	7500	5500
	60	80	28	1.1	-	-	-	NKS 60	335	63	98	7000	5500
63	63	80	25	1.0	-	RNA 4911	-	-	255	58	100	7500	4900
	63	80	45	1.0	-	-	RNA 6911	-	470	90	176	7000	4900
65	65	78	25	0.6	NK 65/25	-	-	-	221	44	98	7000	5500
	65	78	35	0.6	NK 65/35	-	-	-	310	59	142	7000	5500
	65	85	28	1.1	-	-	-	NKS 65	356	67	108	6500	5000
68	68	82	25	0.6	NK 68/25	-	-	-	241	43	89	6500	5500
	68	82	35	0.6	NK 68/35	-	-	-	338	62	139	6500	5000
	68	85	25	1.0	-	RNA 4912	-	-	275	60	108	7000	4500
70	68	85	45	1.0	-	-	RNA 6912	-	488	94	191	6500	4500
	70	85	25	0.6	NK 70/25	-	-	-	260	44	92	6500	5000
	70	85	35	0.6	NK 70/35	-	-	-	370	63	144	6500	5000
72	70	90	28	1.1	-	-	-	NKS 70	380	68	113	6000	4900
	72	90	25	1.0	-	RNA 4913	-	-	312	61	112	6500	4300
	72	90	45	1.0	-	-	RNA 6913	-	580	95	198	6000	4300
73	73	90	25	1.0	NK 73/25	-	-	-	302	53	100	6000	4900
	73	90	35	1.0	NK 73/35	-	-	-	428	75	156	6000	4700
75	75	92	25	1.0	NK 75/25	-	-	-	315	54	104	6000	4800
	75	92	35	1.0	NK 75/35	-	-	-	445	77	162	6000	4600
	75	95	28	1.1	-	-	-	NKS 75	402	71	123	6000	4600
80	80	95	25	1.0	NK 80/25	-	-	-	301	56	119	5500	4400
	80	95	35	1.0	NK 80/35	-	-	-	425	78	184	5500	4300
	80	100	30	1.0	-	RNA 4914	-	-	460	84	156	6000	4000
85	80	100	54	1.0	-	-	RNA 6914	-	857	128	265	5500	3900
	85	105	25	1.0	NK 85/25	-	-	-	425	69	123	5000	4200
	85	105	35	1.0	NK 85/35	-	-	-	600	98	193	5000	4000
90	85	105	30	1.0	-	RNA 4915	-	-	489	86	162	5500	3800
	85	105	54	1.0	-	-	RNA 6915	-	935	130	275	5000	3600
	90	110	25	1.0	NK 90/25	-	-	-	450	72	132	4900	4000
95	90	110	35	1.0	NK 90/35	-	-	-	630	103	208	4900	3800
	90	110	30	1.0	-	RNA 4916	-	-	516	89	174	5000	3500
	90	110	54	1.0	-	-	RNA 6916	-	987	135	300	4900	3300
95	95	115	26	1.0	NK 95/26	-	-	-	490	73	137	4700	3900
	95	115	36	1.0	NK 95/36	-	-	-	680	107	223	4700	3700



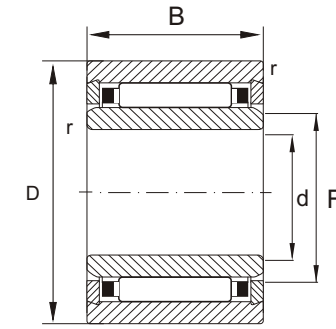
NK
RNA 49, RNA 48

Shaft Diameter (mm)	Principal dimensions (mm)				Bearing Number				Weight \approx g	Basic Load Rating (kN)		Limiting Speed r/min	Rotating Speed r/min
	F_w	D	C	r min	NK	RNA 49	RNA 69	Dynamic C		Static C_o			
100	100	120	26	1.0	NK 100/26	-	-	-	515	76	146	4500	3700
	100	120	36	1.0	NK 100/36	-	-	-	715	111	237	4500	3500
	100	120	35	1.1	-	RNA 4917	-	-	657	111	237	4800	3300
105	100	120	63	1.1	-	-	RNA 6917	-	1200	166	400	4500	2900
	105	125	26	1.0	NK 105/26	-	-	-	540	78	155	4300	3600
	105	125	36	1.0	NK 105/36	-	-	-	713	114	250	4300	3400
110	105	125	35	1.1	-	RNA 4918	-	-	745	114	250	4600	3100
	105	125	63	1.1	-	-	RNA 6918	-	1330	172	425	4300	2700
	110	130	30	1.1	NK 110/30	-	-	-	650	98	210	4100	3300
110	110	130	40	1.1	NK 110/40	-	-	-	830	127	290	4100	3100
	110	130	35	1.1	-	RNA 4919	-	-	719	116	260	4400	2900
	110	130	63	1.1	-	-	RNA 6919	-	1460	174	440	4100	2600



RNA 69

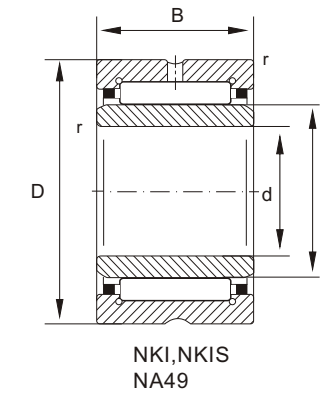
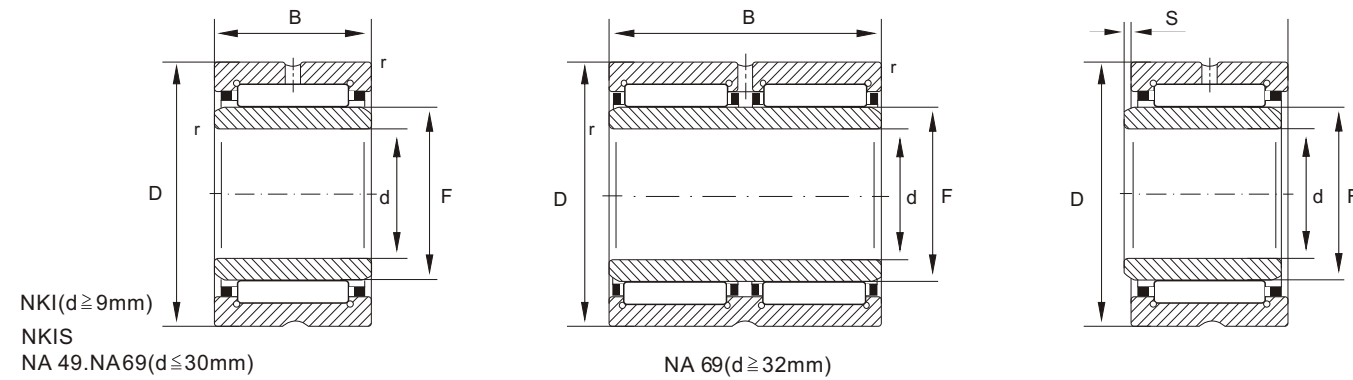
Shaft Diameter (mm)	Principal dimensions (mm)				Bearing Number			Basic Load Rating (kN)		Limiting Speed r/min	Rotating Speed r/min
	F _w	D	C	r min	RNA 49	RNA 48	Weight ≈ g	Dynamic C	Static C ₀		
115	115	140	40	1.1	RNA 4920	-	1150	128	270	4100	2900
120	120	140	30	1.0	-	RNA 4822	670	94	216	3800	2700
125	125	150	40	1.1	RNA 4922	-	1240	132	290	3800	2600
130	130	150	30	1.0	-	RNA 4824	730	99	239	3500	2500
135	135	165	45	1.1	RNA 4924	-	1860	181	390	3400	2300
145	145	165	35	1.1	-	RNA 4826	990	118	310	3200	2200
150	150	180	50	1.5	RNA 4926	-	2210	203	470	3200	2100
155	155	175	35	1.1	-	RNA 4828	1050	120	325	3000	2000
160	160	190	50	1.5	RNA 4928	-	2350	209	500	3000	1900
165	165	190	40	1.1	-	RNA 4830	1600	152	400	2800	1900
175	175	200	40	1.1	-	RNA 4832	1700	160	435	2600	1700
185	185	215	45	1.1	-	RNA 4834	2540	185	510	2500	1600
195	195	225	45	1.1	-	RNA 4836	2680	194	550	2300	1500
210	210	240	50	1.5	-	RNA 4838	3210	227	690	2200	1300
220	220	250	50	1.5	-	RNA 4840	3350	230	720	2100	1300
240	240	270	50	1.5	-	RNA 4844	3620	243	790	1900	1100
265	265	300	60	2.0	-	RNA 4848	5400	355	1080	1700	950
285	285	320	60	2.0	-	RNA 4852	5800	370	1160	1600	900
305	305	350	69	2.0	-	RNA 4856	9300	450	1300	1500	850
330	330	380	80	2.1	-	RNA 4860	12700	620	1770	1400	750
350	350	400	80	2.1	-	RNA 4864	13400	630	1850	1300	700
370	370	420	80	2.1	-	RNA 4868	14000	640	1940	1200	650
390	390	440	80	2.1	-	RNA 4872	14800	660	2020	1200	600
415	415	480	100	2.1	-	RNA 4876	26000	1000	2900	1100	500



NKI(d ≤ 7mm)

Shaft Diameter (mm)	Principal dimensions (mm)						Bearing Number				Basic Load Rating (kN)		Limiting Speed r/min	Rotating Speed r/min	
	d	F	D	B	r min	s ¹⁾	NKI	NA 49	NA 69	NKIS	Weight ≈ g	Dynamic C			Static C ₀
5	5	8	15	12	0.3	1.5	*NKI 5/12 TN	-	-	-	11.5	3.95	4.1	32000	38000
	5	8	15	16	0.3	2.0	*NKI 5/16 TN	-	-	-	15.3	5.10	5.8	32000	37000
6	6	9	16	12	0.3	1.5	*NKI 6/12 TN	-	-	-	13.5	4.50	5.0	30000	33000
	6	9	16	16	0.3	2.0	*NKI 6/16 TN	-	-	-	17.4	5.90	7.1	30000	33000
7	7	10	17	12	0.3	1.5	*NKI 7/12 TN	-	-	-	13.7	4.75	5.5	29000	30000
	7	10	17	16	0.3	2.0	*NKI 7/16 TN	-	-	-	18.2	6.20	7.8	29000	30000
9	9	12	19	12	0.3	1.5	NKI 9/12	-	-	-	16.6	6.40	7.1	27000	24000
	9	12	19	16	0.3	2.0	NKI 9/16	-	-	-	21.9	9.00	11.0	27000	23000
10	10	14	22	16	0.3	0.5	NKI 10/16	-	-	-	29.4	10.10	11.5	25000	19000
	10	14	22	20	0.3	0.5	NKI 10/20	-	-	-	37.1	12.80	15.6	25000	19000
12	10	14	22	13	0.3	0.5	-	NA 4900	-	-	23.0	8.50	9.2	25000	20000
	12	16	24	16	0.3	0.5	NK 12/16	-	-	-	33.3	11.30	13.9	24000	17000
12	12	16	24	20	0.3	0.5	NK 12/20	-	-	-	41.9	14.40	18.8	24000	17000
	12	16	24	13	0.3	0.5	-	NA 4901	-	-	26.0	9.40	10.9	24000	17000
15	12	16	24	22	0.3	1.0	-	-	NA 6901	-	46.0	16.00	21.6	24000	16000
	15	19	27	16	0.3	0.5	NK 15/16	-	-	-	38.8	13.00	17.4	22000	14000
15	15	19	27	20	0.3	0.5	NK 15/20	-	-	-	48.7	16.50	23.6	22000	14000
	15	20	28	13	0.3	0.5	-	NA 4902	-	-	34.0	10.60	13.6	22000	14000
15	15	20	28	23	0.3	1.0	-	-	NA 6902	-	63.6	17.30	25.5	22000	13000
	15	22	35	20	0.6	0.5	-	-	-	NKIS 15	92.0	24.50	28.0	20000	11000
17	17	21	29	16	0.3	0.5	NK 17/16	-	-	-	42.4	13.50	18.7	21000	13000
	17	21	29	20	0.3	0.5	NK 17/20	-	-	-	53.4	17.10	25.5	21000	13000
17	17	22	30	13	0.3	0.5	-	NA 4903	-	-	37.0	11.00	14.6	21000	12000
	17	22	30	23	0.3	1.0	-	-	NA 6903	-	72.0	18.60	29.0	21000	11000
17	24	37	20	0.6	0.5	-	-	-	NKIS 17	98.0	26.00	31.0	18000	10000	

TN = Plasticcage, Limiting working temperature: +120°C (Continuous working)
 +With rib, without oil hole and oil groove
 1) Allowed axial displacement of inner ring relative to outer ring

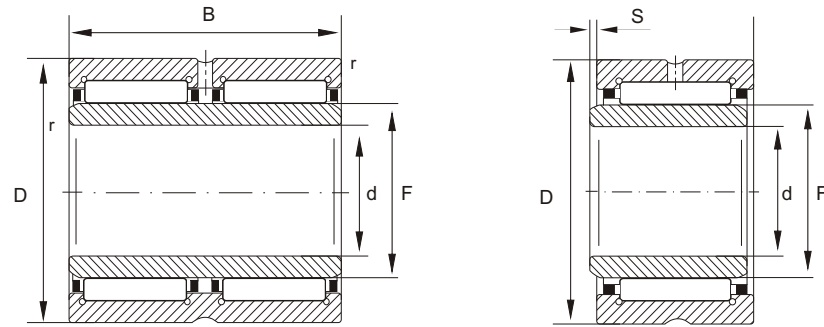


Shaft Diameter (mm)	Principal dimensions (mm)						Bearing Number				Basic Load Rating (kN)		Limiting Speed r/min	Rotating Speed r/min	
	d	F	D	B	r	s ¹⁾	NKI	NA 49	NA 69	NKIS	Weight g	Dynamic C			Static C ₀
20	20	24	32	16	0.3	0.5	NKI 20/16	-	-	-	49	15.0	22.3	19000	12000
	20	24	32	20	0.3	0.5	NKI 20/20	-	-	-	61	19.0	30.5	19000	12000
	20	25	37	17	0.3	0.8	-	NA 4904	-	-	75	21.0	25.5	17000	11000
	20	25	37	30	0.3	1.0	-	-	NA 6904	-	141	36.0	51.0	17000	10000
22	20	28	42	20	0.6	0.5	-	-	-	NKIS 20	129	28.5	36.5	16000	9000
	22	26	34	16	0.3	0.5	NKI 22/16	-	-	-	52	15.3	23.6	18000	11000
	22	26	34	20	0.3	0.5	NKI 22/20	-	-	-	65	19.4	32.0	18000	11000
	22	28	39	17	0.3	0.8	-	NA 49/22	-	-	80	22.8	29.5	16000	9500
25	22	28	39	30	0.3	0.5	-	-	NA 69/22	-	150	37.5	55.0	16000	9000
	25	29	38	20	0.3	1.0	NKI 25/20	-	-	-	79	21.9	34.0	16000	10000
	25	29	38	30	0.3	1.5	NKI 25/30	-	-	-	124	32.5	57.0	16000	9500
	25	30	42	17	0.3	0.8	-	NA 4905	-	-	88	23.6	31.5	15000	9500
28	25	30	42	30	0.3	1.0	-	-	NA 6905	-	161	39.0	59.0	15000	9000
	25	32	47	22	0.6	1.0	-	-	-	NKIS 25	162	33.5	43.5	14000	8500
	28	32	42	20	0.3	1.0	NKI 28/20	-	-	-	96	23.1	37.5	14000	9000
	28	32	42	30	0.3	1.5	NKI 28/30	-	-	-	146	34.5	63.0	14000	9000
30	28	32	45	17	0.3	0.8	-	NA 49/28	-	-	97	24.4	33.5	13000	8500
	28	32	45	30	0.3	1.0	-	-	NA 69/28	-	182	40.5	63.0	13000	8500
	30	35	45	20	0.3	0.5	NKI 30/20	-	-	-	112	24.3	41.5	13000	8500
	30	35	45	30	0.3	1.0	NKI 30/30	-	-	-	170	36.5	69.0	13000	8000
32	30	35	47	17	0.3	0.8	-	NA 4906	-	-	101	25.0	35.5	13000	8000
	30	35	47	30	0.3	1.0	-	-	NA 6906	-	192	43.5	71.0	13000	7500
	30	37	52	22	0.6	1.0	-	-	-	NKIS 30	184	36.5	50.0	12000	7500
	32	37	47	20	0.3	0.5	NKI 32/20	-	-	-	118	24.9	43.5	12000	8000
35	32	37	47	30	0.3	1.0	NKI 32/30	-	-	-	180	37.0	73.0	12000	8000
	32	40	52	20	0.6	0.8	-	NA 49/32	-	-	158	30.5	47.5	12000	7000
	32	40	52	36	0.6	0.5	-	-	NA 69/32	-	288	47.0	82.0	12000	7000
	35	40	50	20	0.3	0.5	NKI 35/20	-	-	-	127	26.0	47.0	12000	7500
35	35	40	50	30	0.3	1.0	NKI 35/30	-	-	-	193	39.0	79.0	12000	7500
	35	42	55	20	0.6	0.8	-	NA 4907	-	-	170	31.5	50.0	11000	7000
	35	42	55	36	0.6	0.5	-	-	NA 6907	-	310	48.0	86.0	11000	7000
	35	43	58	22	0.6	0.5	-	-	-	NKIS 35	220	39.0	57.0	11000	6500

¹⁾Allowed axial displacement of inner ring relative to outer ring

Shaft Diameter (mm)	Principal dimensions (mm)						Bearing Number				Basic Load Rating (kN)		Limiting Speed r/min	Rotating Speed r/min	
	d	F	D	B	r	s ¹⁾	NKI	NA 49	NA 69	NKIS	Weight g	Dynamic C			Static C ₀
38	38	43	53	20	0.3	0.5	NKI 38/20	-	-	-	136	27	51	11000	7000
	38	43	53	30	0.3	1.0	NKI 38/30	-	-	-	207	10	85	11000	7000
40	40	45	55	20	0.3	0.5	NKI 40/20	-	-	-	142	27	53	10000	7000
	40	45	55	30	0.3	1.0	NKI 40/30	-	-	-	216	41	88	10000	6500
42	40	48	62	22	0.6	1.0	-	NA 4908	-	-	230	43	67	9500	6000
	40	48	62	40	0.6	0.5	-	-	NA 6908	-	430	66	116	9500	6000
	40	50	65	22	1.0	0.5	-	-	-	NKIS 40	281	42	67	9500	5500
	42	47	57	20	0.3	0.5	NKI 42/20	-	-	-	148	28	56	10000	6500
45	42	47	57	30	0.3	1.0	NKI 42/30	-	-	-	222	43	94	10000	6500
	45	50	62	25	0.6	1.5	NKI 45/25	-	-	-	229	38	74	9000	6500
50	45	50	62	35	0.6	2.0	NKI 45/35	-	-	-	322	50	106	9000	6000
	45	52	68	22	0.6	1.0	-	NA 4909	-	-	271	45	73	8500	5500
	45	52	68	40	0.6	0.5	-	-	NA 6909	-	495	69	127	8500	5500
	45	55	72	22	1.0	0.5	-	-	-	NKIS 45	336	45	74	8500	5500
55	50	55	68	25	0.6	1.5	NKI 50/25	-	-	-	270	40	82	8500	6000
	50	55	68	35	0.6	2.0	NKI 50/35	-	-	-	379	53	118	8500	6000
	50	58	72	22	0.6	1.0	-	NA 4910	-	-	274	47	80	8000	5000
	50	58	72	40	0.6	0.5	-	-	NA 6910	-	515	73	139	8000	4900
60	50	60	80	28	1.1	2.0	-	-	-	NKIS 50	518	63	98	7500	5000
	55	60	72	25	0.6	1.5	NKI 55/25	-	-	-	272	42	90	7500	5500
	55	60	72	35	0.6	2.0	NKI 55/35	-	-	-	379	56	130	7500	5500
	55	63	80	25	1.0	1.5	-	NA 4911	-	-	393	58	100	7500	4700
65	55	63	80	45	1.0	1.5	-	-	NA 6911	-	780	90	176	7500	4700
	55	65	85	28	1.1	2.0	-	-	-	NKIS 55	558	67	108	7000	4700
	60	68	82	25	0.6	1.0	NKI 60/25	-	-	-	394	43	89	7000	4900
	60	68	82	35	0.6	1.0	NKI 60/35	-	-	-	553	62	139	7000	4800
65	60	68	85	25	1.0	1.5	-	NA 4912	-	-	426	60	108	7000	4300
	60	68	85	45	1.0	1.5	-	-	NA 6912	-	808	94	191	7000	4300
	60	70	90	28	1.1	2.0	-	-	-	NKIS 60	560	68	113	6500	4500
	65	73	90	25	1.0	1.0	NKI 65/25	-	-	-	467	53	100	6500	4600
65	65	73	90	35	1.0	1.0	NKI 65/35	-	-	-	659	75	156	6500	4400
	65	72	90	25	1.0	1.5	-	NA 4913	-	-	456	61	112	6500	4100
	65	72	90	45	1.0	1.5	-	-	NA 6913	-	833	95	198	6500	4100
	65	75	95	28	1.1	2.0	-	-	-	NKIS 65	641	71	123	6500	4200

¹⁾Allowed axial displacement of inner ring relative to outer ring

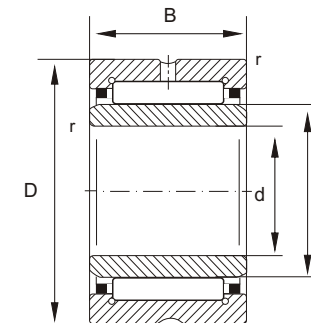


NA 69

s

Shaft Diameter (mm)	Principal dimensions (mm)							Bearing Number				Basic Load Rating (kN)		Limiting Speed r/min	Rotating Speed r/min
	d	F	D	B	r min	s ¹⁾	NKI	NA 49	NA 69	Weight g	Dynamic C	Static Co			
70	70	80	95	25	1.0	0.8	NKI 70/25	-	-	521	56	119	6000	4100	
	70	80	95	35	1.0	0.8	NKI 70/35	-	-	737	78	184	6000	4000	
	70	80	100	30	1.0	1.5	-	NA 4914	-	728	84	156	6000	3800	
	70	80	100	54	1.0	1.0	-	-	NA 6914	1340	128	265	6000	3800	
75	75	85	105	25	1.0	1.0	NKI 75/25	-	-	641	69	123	5500	3900	
	75	85	105	35	1.0	1.0	NKI 75/35	-	-	908	98	193	5500	3800	
	75	85	105	30	1.0	1.5	-	NA 4915	-	775	86	162	5500	3600	
	75	85	105	54	1.0	1.0	-	-	NA 6915	1450	130	275	5500	3500	
80	80	90	110	25	1.0	1.0	NKI 80/25	-	-	677	72	132	5000	3700	
	80	90	110	35	1.0	1.0	NKI 80/35	-	-	959	103	208	5000	3600	
	80	90	110	30	1.0	1.5	-	NA 4916	-	878	89	174	5000	3400	
	80	90	110	54	1.0	1.0	-	-	NA 6916	1522	135	300	5000	3200	
85	85	95	115	26	1.0	1.5	NKI 85/26	-	-	743	73	137	4900	3600	
	85	95	115	36	1.0	1.5	NKI 85/36	-	-	1040	107	223	4900	3400	
	85	100	120	35	1.1	1.0	-	NA 4917	-	1250	111	237	4800	3100	
	85	100	120	63	1.1	1.0	-	-	NA 6917	2200	166	400	4800	2800	
90	90	100	120	26	1.0	1.5	NKI 90/26	-	-	778	76	146	4700	3500	
	90	100	120	36	1.0	1.5	NKI 90/36	-	-	1090	111	237	4700	3300	
	90	105	125	35	1.1	1.0	-	NA 4918	-	1312	114	250	4600	3000	
	90	105	125	63	1.1	1.0	-	-	NA 6918	2310	172	425	4600	2600	
95	95	105	125	26	1.0	1.5	NKI 95/26	-	-	816	78	155	4500	3300	
	95	105	125	36	1.0	1.5	NKI 95/36	-	-	1145	114	250	4500	3200	
	95	110	130	35	1.1	1.0	-	NA 4919	-	1371	116	260	4400	2800	
	95	110	130	63	1.1	1.0	-	-	NA 6919	2500	174	440	4400	2500	

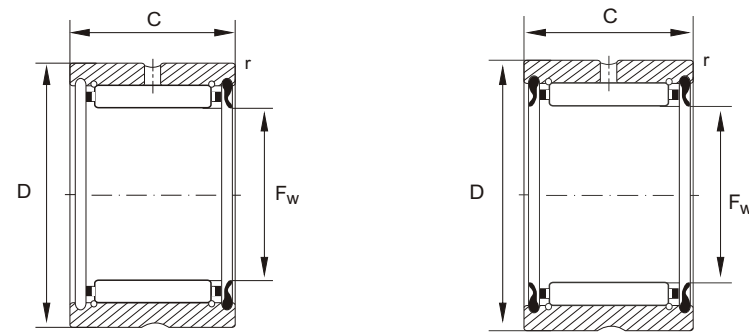
¹⁾Allowed axial displacement of inner ring relative to outer ring



NKI
NA 49, NA 48

Shaft Diameter (mm)	Principal dimensions (mm)							Bearing Number				Basic Load Rating (kN)		Limiting Speed r/min	Rotating Speed r/min
	d	F	D	B	r min	s ¹⁾	NKI	NA 49	NA 48	Weight g	Dynamic C	Static Co			
100	100	110	130	30	1.1	1.5	NKI 100/30	-	-	990	98	210	4300	3100	
	100	110	130	40	1.1	2.0	NKI 100/40	-	-	1330	127	290	4300	3000	
110	100	115	140	40	1.1	2.0	-	NA 4920	-	1900	128	270	4100	2900	
	110	125	150	40	1.1	2.0	-	NA 4922	-	2070	132	290	3800	2600	
120	110	120	140	30	1.0	0.8	-	-	NA 4822	1080	94	216	3900	2700	
	120	135	165	45	1.1	2.0	-	NA 4924	-	2860	181	390	3400	2300	
130	120	130	150	30	1.0	0.8	-	-	NA 4824	1170	99	239	3600	2400	
	130	150	180	50	1.5	1.5	-	NA 4926	-	3900	203	470	3200	2000	
140	130	145	165	35	1.1	1.0	-	-	NA 4826	1810	118	310	3300	2100	
	140	160	190	50	1.5	1.5	-	NA 4928	-	4150	209	500	3000	1800	
150	140	155	175	35	1.1	1.0	-	-	NA 4828	1920	120	325	3100	2000	
	150	165	190	40	1.1	1.5	-	-	NA 4830	2720	152	400	2900	1800	
160	160	175	200	40	1.1	1.5	-	-	NA 4832	2890	160	435	2700	1700	
170	170	185	215	45	1.1	1.5	-	-	NA 4834	3960	185	510	2500	1600	
180	180	195	225	45	1.1	1.5	-	-	NA 4836	4200	194	550	2400	1500	
190	190	210	240	50	1.5	1.5	-	-	NA 4838	5610	227	690	2300	1300	

¹⁾Allowed axial displacement of inner ring relative to outer ring

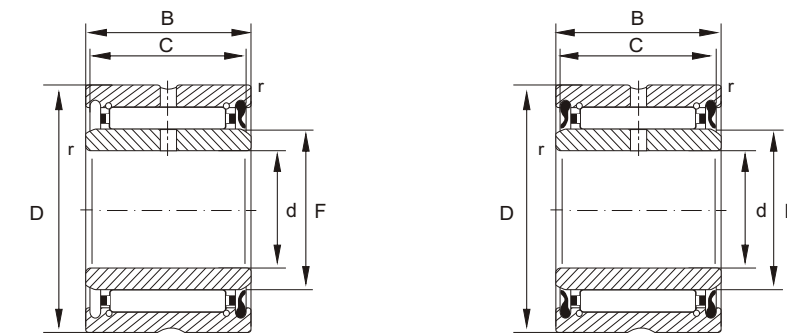


RNA 49..RS

RNA 49..2RS

Shaft Diameter (mm)	Principal dimensions (mm)				Bearing Number			Basic Load Rating (kN)		Limiting ¹⁾ Speed r/min
	F _w	D	C	r min	RNA 49..RS One side seal	RNA 49..2RS Two sides seals	Weight ≈ g	Dynamic C	Static C ₀	
14	14	22	13	0.3	RNA 4900 RS	RNA 4900 2RS	16	6.8	6.9	13000
16	16	24	13	0.3	RNA 4901 RS	RNA 4901 2RS	18	7.6	8.3	12000
20	20	28	13	0.3	RNA 4902 RS	RNA 4902 2RS	21	8.6	10.3	10000
22	22	30	13	0.3	RNA 4903 RS	RNA 4903 2RS	23	8.8	11.0	9000
25	25	37	17	0.3	RNA 4904 RS	RNA 4904 2RS	56	17.3	19.9	7500
30	30	42	17	0.3	RNA 4905 RS	RNA 4905 2RS	60	19.3	24.2	6500
35	35	47	17	0.3	RNA 4906 RS	RNA 4906 2RS	69	21.1	28.5	5500
42	42	55	20	0.6	RNA 4907 RS	RNA 4907 2RS	107	26.5	39.5	4800
48	48	62	22	0.6	RNA 4908 RS	RNA 4908 2RS	154	36.0	53.0	4200
52	52	68	22	0.6	RNA 4909 RS	RNA 4909 2RS	157	38.0	59.0	3900
58	58	72	22	0.6	RNA 4910 RS	RNA 4910 2RS	160	40.0	64.0	3500

¹⁾Limiting speed with grease lubrication

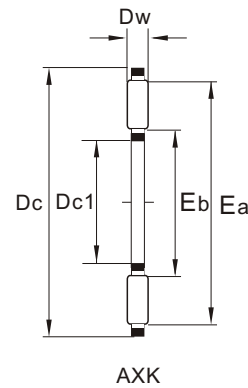


NA 49..RS

NA 49..2RS

Shaft Diameter (mm)	Principal dimensions (mm)						Bearing Number			Basic Load Rating (kN)		Limiting Speed ¹⁾ r/min
	d	F	D	C	B	r min	NA 49..RS One side seal	NA 49..2RS Two sides seals	Weight ≈ g	Dynamic C	Static C ₀	
10	10	14	22	13	14	0.3	NA 4900 RS	NA 4900 2RS	24.5	6.8	6.9	13000
12	12	16	24	13	14	0.3	NA 4901 RS	NA 4901 2RS	27.5	7.6	8.3	12000
15	15	20	28	13	14	0.3	NA 4902 RS	NA 4902 2RS	37.0	8.6	10.3	10000
17	17	22	30	13	14	0.3	NA 4903 RS	NA 4903 2RS	40.0	8.8	11.0	9000
20	20	25	37	17	18	0.3	NA 4904 RS	NA 4904 2RS	80.0	17.3	19.9	7500
25	25	30	42	17	18	0.3	NA 4905 RS	NA 4905 2RS	89.5	19.3	24.2	6500
30	30	35	47	17	18	0.3	NA 4906 RS	NA 4906 2RS	104.0	21.1	28.5	5500
35	35	42	55	20	21	0.6	NA 4907 RS	NA 4907 2RS	175.0	26.5	39.5	4800
40	40	48	62	22	23	0.6	NA 4908 RS	NA 4908 2RS	252.0	36.0	53.0	4200
45	45	52	68	22	23	0.6	NA 4909 RS	NA 4909 2RS	290.0	38.0	59.0	3900
50	50	58	72	22	23	0.6	NA 4910 RS	NA 4910 2RS	295.0	40.0	64.0	3500

¹⁾Limiting speed with grease lubrication



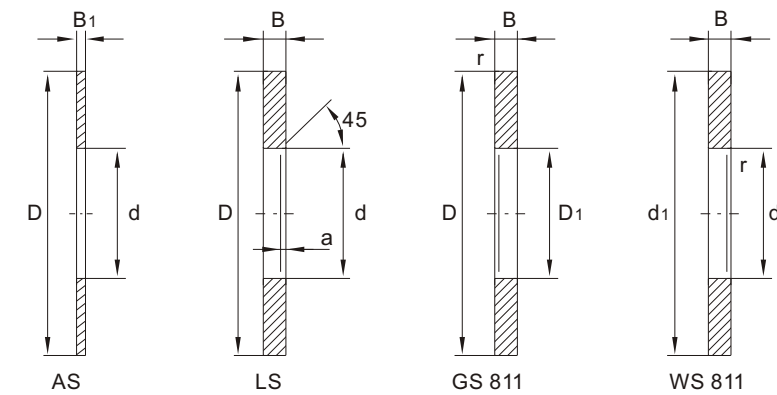
AXK

Form size • size unit:(mm)								
Shaft Diameter (mm)	Thrust needle roller bearings and cage assembly		Thrust bearing washer					
	Bearing Number	Weight ≈ g	Bearing washer number	Weight ≈ g	Shaft washer number	Housing washer number	Thrust bearing washer number	Weight ≈ g
4	AXK 0414 TN	0.7	AS 0414	1	-	-	-	-
5	AXK 0515 TN	0.8	AS 0515	1	-	-	-	-
6	AXK 0619 TN	1.0	AS 0619	2	LS 0619	-	-	4
8	AXK 0821 TN	2.0	AS 0821	2	LS 0821	-	-	4
10	AXK 1024	3.0	AS 1024	3	LS 1024	-	-	7
12	AXK 1226	3.0	AS 1226	3	LS 1226	-	-	8
15	AXK 1528	4.0	AS 1528	3	LS 1528	GS 81102	WS 81102	9
17	AXK 1730	4.0	AS 1730	4	LS 1730	GS 81103	WS 81103	9
20	AXK 2035	5.0	AS 2035	5	LS 2035	GS 81104	WS 81104	13
25	AXK 2542	7.0	AS 2542	7	LS 2542	GS 81105	WS 81105	19
30	AXK 3047	8.0	AS 3047	8	LS 3047	GS 81106	WS 81106	22
35	AXK 3552	10.0	AS 3552	9	LS 3552	GS 81107	WS 81107	29
40	AXK 4060	16.0	AS 4060	12	LS 4060	GS 81108	WS 81108	40
45	AXK 4565	18.0	AS 4565	13	LS 4565	GS 81109	WS 81109	50
50	AXK 5070	20.0	AS 5070	14	LS 5070	GS 81110	WS 81110	55
55	AXK 5578	28.0	AS 5578	18	LS 5578	GS 81111	WS 81111	88
60	AXK 6085	33.0	AS 6085	22	LS 6085	GS 81112	WS 81112	97
65	AXK 6590	35.0	AS 6590	24	LS 6590	GS 81113	WS 81113	115
70	AXK 7095	60.0	AS 7095	25	LS 7095	GS 81114	WS 81114	123
75	AXK 75100	61.0	AS 75100	27	LS 75100	GS 81115	WS 81115	142
80	AXK 80105	63.0	AS 80105	28	LS 80105	GS 81116	WS 81116	151
85	AXK 85110	67.0	AS 85110	29	LS 85110	GS 81117	WS 81117	159
90	AXK 90120	86.0	AS 90120	39	LS 90120	GS 81118	WS 81118	234
100	AXK 100135	104.0	AS 100135	50	LS 100135	GS 81120	WS 81120	350
110	AXK 110145	122.0	AS 110145	55	LS 110145	GS 81122	WS 81122	385
120	AXK 120155	131.0	AS 120155	59	LS 120155	GS 81124	WS 81124	415
130	AXK 130170	205.0	AS 130170	65	LS 130170	GS 81126	WS 81126	663
140	AXK 140180	219.0	AS 140180	79	LS 140180	GS 81128	WS 81128	749
150	AXK 150190	323.0	AS 150190	84	LS 150190	GS 81130	WS 81130	796
160	AXK 160200	246.0	AS 160200	89	LS 160200	GS 81132	WS 81132	842

TN = Plastic cage, Limiting working temperature: +120°C (Continuous working)

¹⁾With double-row oil holes are of standard type

Allowed limiting speed by grease lubrication is 25% of the limiting speed given in above table.



Principal dimensions (mm)														Raceway sizes		Basic Load Rating (kN)		Limiting Speed ¹⁾ r/min	Rotating Speed r/min
D _{c1} d	D ₁	D _c D	d ₁	D _w	B ₁	B	a r min	E _b	E _a	Dynamic C	Static C ₀								
4	-	14	-	2	1	-	-	5	13	4.4	8			21000	11000				
5	-	15	-	2	1	-	-	6	14	4.7	9			21000	9500				
6	-	19	-	2	1	2.75	0.3	7	18	6.8	15			19000	8000				
8	-	21	-	2	1	2.75	0.3	9	20	7.8	19			18000	6500				
10	-	24	-	2	1	2.75	0.3	12	23	9.2	25			17000	5500				
12	-	26	-	2	1	2.75	0.3	14	25	9.9	29			15000	4700				
15	16	28	28	2	1	2.75	0.3	17	27	11.3	36			13000	3600				
17	18	30	30	2	1	2.75	0.3	19	29	11.9	39			12000	3200				
20	21	35	35	2	1	2.75	0.3	22	34	13.1	46			10000	3100				
25	26	42	42	2	1	3.00	0.6	29	41	14.7	58			8500	2800				
30	32	47	47	2	1	3.00	0.6	34	46	16.3	70			7500	2300				
35	37	52	52	2	1	3.50	0.6	39	51	17.8	81			6500	2000				
40	42	60	60	3	1	3.50	0.6	45	58	28.0	114			6000	1700				
45	47	65	65	3	1	4.00	0.6	50	63	30.0	128			5000	1500				
50	52	70	70	3	1	4.00	0.6	55	68	32.0	143			4800	1400				
55	57	78	78	3	1	5.00	0.6	60	76	38.0	186			4300	1200				
60	62	85	85	3	1	4.75	1.0	65	83	44.5	234			4000	1100				
65	67	90	90	3	1	5.25	1.0	70	88	46.5	255			3700	1000				
70	72	95	95	4	1	5.25	1.0	74	93	54.0	255			3500	1000				
75	77	100	100	4	1	5.75	1.0	79	98	55.0	265			3300	950				
80	82	105	105	4	1	5.75	1.0	84	103	56.0	280			3100	900				
85	87	110	110	4	1	5.75	1.0	89	108	58.0	290			3000	850				
90	92	120	120	4	1	6.50	1.0	94	118	73.0	405			2700	750				
100	102	135	135	4	1	7.00	1.0	105	133	91.0	560			2500	650				
110	112	145	145	4	1	7.00	1.0	115	143	97.0	620			2300	600				
120	122	155	155	4	1	7.00	1.0	125	153	102.0	680			2100	550				
130	132	170	170	5	1	9.00	1.0	136	167	133.0	840			1900	500				
140	142	180	178	5	1	9.50	1.0	146	177	138.0	900			1800	480				
150	152	190	188	5	1	9.50	1.0	156	187	143.0	960			1700	440				
160	162	200	198	5	1	9.50	1.0	166	197	148.0	1020			1600	420				