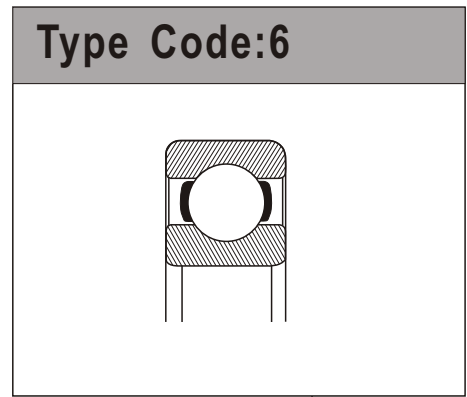




3

4



ID Code	
ID Code	ID mm
00	10
01	12
02	15
03	17
04	20
/22	22
05	25
/28	28
06	30
/32	32
07	35
.....



SIZE DESIGNATION:

- 0: Designate extra light series 60xx
- 2: Designate light series 62xx
- 3: Designate medium light series 63xx
- 4: Designate heavy series 64xx
- 8: Designate super light series 68xx
- 9: Designate super light series 69xx

DESIGNS, TYPES AND FEATURES

- RS: One seal - contact type
- 2RS: Two seals - contact type
- RZ: One non-contact seal
- 2RZ: Two non-contact seals
- Z: One shield
- ZZ: Two shields
- N: With snap ring groove on the outer ring
- M: Solid brass retainer
- NR: With snap ring on the outer ring
- TN: Glass-fiber reinforced nylon cage

V: NOISE & VIBRATION GRADE

- /V1: Adhere to vibration standard V1
- /V2: Adhere to vibration standard V2
- /V3: Adhere to vibration standard V3
- EMQ: Standard electric motor quality
- EMQ6: Quiet running ,standard electric motor quality
- EMQ5: Super-quiet running ,standard electric motor quality

TOLERANCE CLASS:

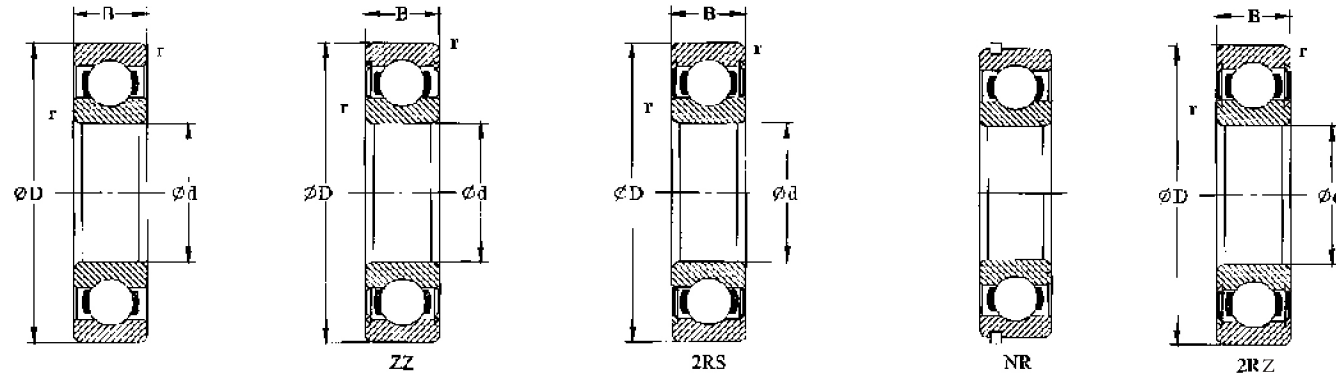
- /P0: Equal tolerance class ABEC1
- /P6: Equal tolerance class ABEC3
- /P5: Equal tolerance class ABEC5
- /P4: Equal tolerance class ABEC7
- /P2: Equal tolerance class ABEC9

CLEARANCE:

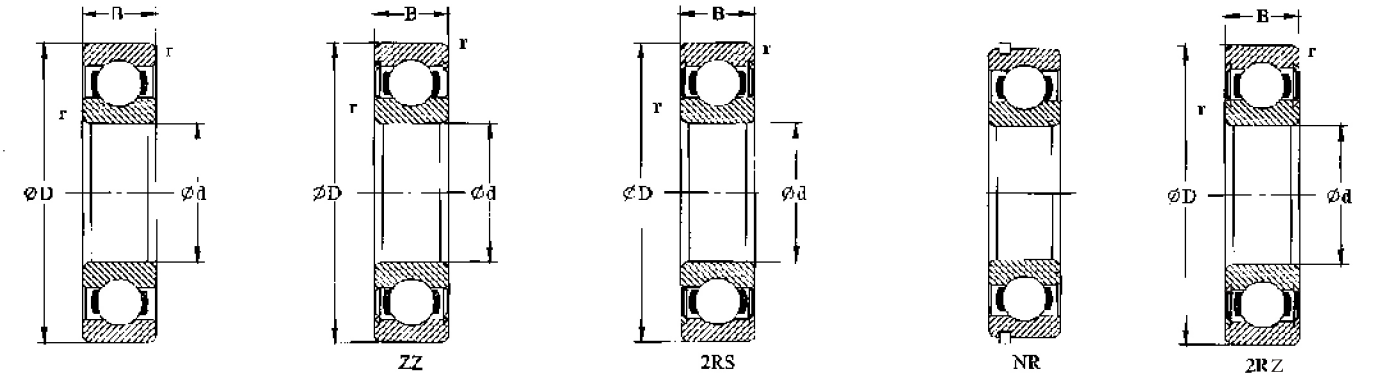
- /C2: Less than normal clearance
- /C0: Normal clearance, omissible
- /C3: Larger clearance than C0
- /C4: Larger clearance than C3
- /C5: Larger clearance than C4

WORKING TEMPERATURE:

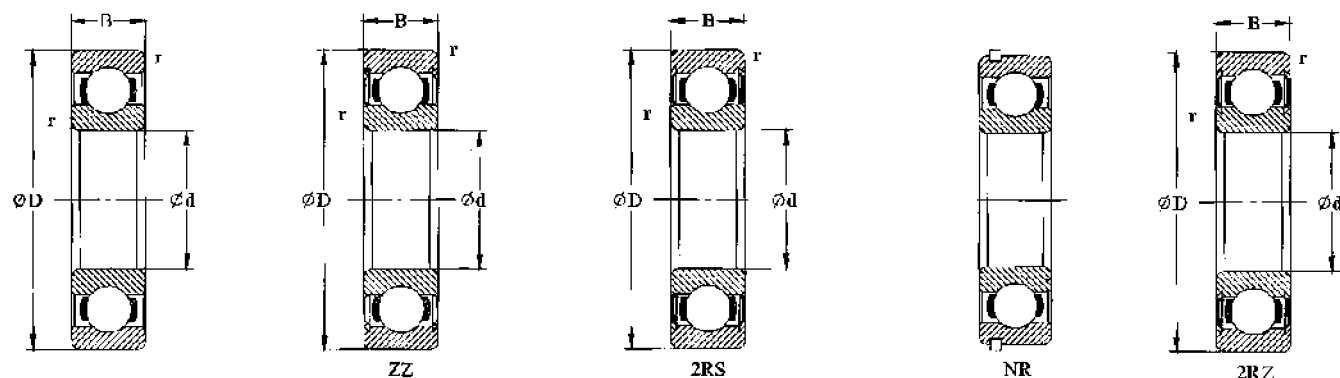
- /S0: Working temperature is up to 150 °C
- /S1: Working temperature is up to 200 °C
- /S2: Working temperature is up to 250 °C
- /S3: Working temperature is up to 300 °C
- /S4: Working temperature is up to 350 °C



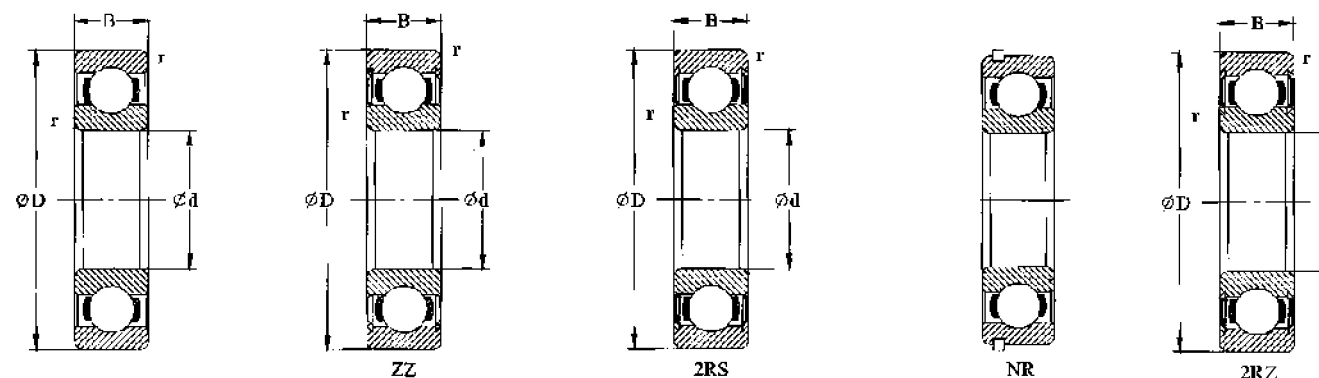
Principal dimensions (mm)				Weight Kg	Bearing Number				Basic Load Rating (kN)		Limiting Speed (rpm)	
d	D	B	r _{min}		Open	W/Shields	W/Seals	W/Snap Ring	Dynamic Cr	Static Cor	Grease	Oil
10	15	3	0.1	0.0015	6700		2RS		1.01	0.555	36000	42000
	19	5	0.3	0.005	6800	ZZ	2RS		1.65	0.890	30000	36000
	22	6	0.3	0.009	6900	ZZ	2RS		2.43	1.220	29000	34000
	26	8	0.3	0.018	6000	ZZ	2RS	NR	4.10	1.880	28000	32000
	30	9	0.6	0.032	6200	ZZ	2RS	NR	4.59	2.390	24000	29000
	35	11	0.6	0.052	6300	ZZ	2RS	NR	7.38	3.360	22000	26000
12	18	4	0.2	0.003	6701		2RS		1.07	0.655	32000	38000
	21	5	0.3	0.006	6801	ZZ	2RS		1.73	1.000	28000	33000
	24	6	0.3	0.010	6901	ZZ	2RS		2.60	1.400	26000	30000
	28	7	0.3	0.019	16001	ZZ	2RS		4.59	2.290	25000	29000
	28	8	0.3	0.022	6001	ZZ	2RS	NR	4.59	2.290	25000	29000
	32	10	0.6	0.037	6201	ZZ	2RS	NR	5.49	2.750	21000	25000
15	37	12	1.0	0.060	6301	ZZ	2RS	NR	8.73	4.030	19000	23000
	21	4	0.2	0.0035	6702		2RS		1.15	0.790	29000	34000
	24	5	0.3	0.007	6802	ZZ	2RS		1.87	1.210	25000	29000
	28	7	0.3	0.015	6902	ZZ	2RS		3.69	1.980	23000	27000
	32	8	0.3	0.027	16002	ZZ	2RS		5.04	2.730	21000	25000
	32	9	0.3	0.031	6002	ZZ	2RS	NR	5.04	2.730	21000	25000
17	35	11	0.6	0.045	6202	ZZ	2RS	NR	6.98	3.600	18000	22000
	42	13	1.0	0.083	6302	ZZ	2RS	NR	10.26	5.230	16000	20000
	23	4	0.2	0.004	6703		2RS		1.20	0.865	26000	31000
	26	5	0.3	0.007	6803	ZZ	2RS		2.53	1.650	23000	27000
	30	7	0.3	0.017	6903	ZZ	2RS		4.46	2.480	21000	25000
	35	8	0.3	0.033	16003	ZZ	2RS		6.12	3.220	19000	23000
20	35	10	0.3	0.041	6003	ZZ	2RS	NR	6.12	3.220	19000	23000
	40	12	0.6	0.067	6203	ZZ	2RS	NR	8.64	4.600	17000	20000
	47	14	1.0	0.113	6303	ZZ	2RS	NR	12.15	6.290	15000	18000
	62	17	1.1	0.270	6403		2RS		22.70	10.800	14000	16000
	27	4	0.2	0.005	6704		2RS		1.79	1.320	23000	28000
	32	7	0.3	0.017	6804	ZZ	2RS		3.60	2.370	20000	24000
22	37	9	0.3	0.037	6904	ZZ	2RS		5.76	3.550	18000	22000
	42	8	0.3	0.048	16004	ZZ	2RS		7.11	4.320	17000	20000
	42	12	0.6	0.068	6004	ZZ	2RS	NR	8.46	4.850	17000	20000
	47	14	1.0	0.107	6204	ZZ	2RS	NR	11.52	6.650	15000	17000
	52	15	1.1	0.145	6304	ZZ	2RS	NR	14.31	7.580	13000	16000
	72	19	1.1	0.400	6404				28.50	13.900	12000	14000
25	44	12	0.6	0.074	60/22	ZZ	2RS		8.46	4.850	16000	19000
	50	14	1.0	0.119	62/22	ZZ	2RS		11.61	5.840	13000	16000
	56	16	1.1	0.179	63/22	ZZ	2RS		16.56	8.880	12000	14000
25	32	4	0.2	0.006	6705		2RS		1.93	1.550	19000	23000
	37	7	0.3	0.021	6805	ZZ	2RS		3.87	2.830	17000	20000



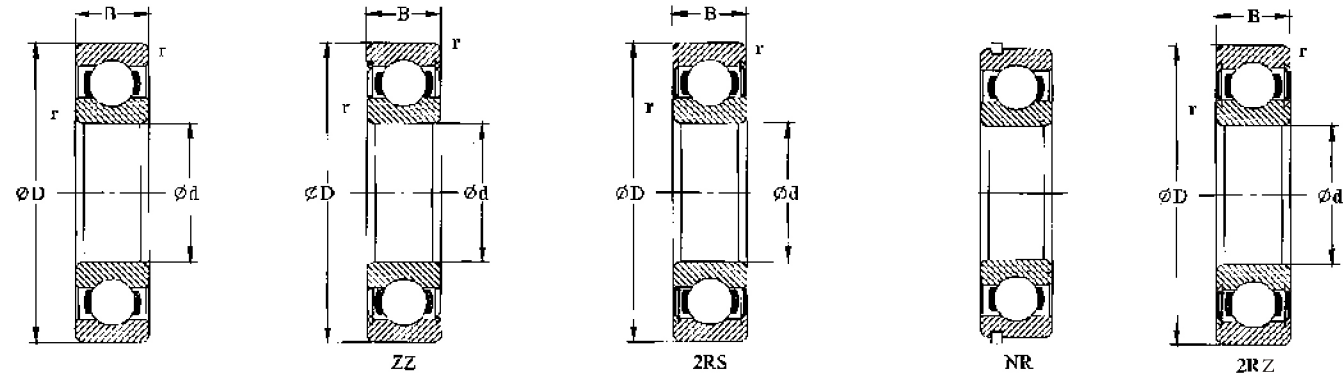
Principal dimensions (mm)				Weight Kg	Bearing Number				Basic Load Rating (kN)		Limiting Speed (rpm)	
d	D	B	r _{min}		Open	W/Shields	W/Seals	W/Snap Ring	Dynamic Cr	Static Cor	Grease	Oil
25	42	9	0.3	0.042	6905	ZZ	2RS		6.35	4.37	15000	18000
	47	8	0.3	0.059	16005	ZZ	2RS		7.52	4.90	14000	17000
	47	12	0.6	0.079	6005	ZZ	2RS	NR	9.09	5.62	14000	17000
	52	15	1.0	0.129	6205	ZZ	2RS	NR	12.60	7.54	12000	14000
	62	17	1.1	0.235	6305	ZZ	2RS	NR	19.08	10.46	11000	13000
	80	21	1.5	0.530	6405				34.50	17.50	10000	12000
28	52	12	0.6	0.096	60/28	ZZ	2RS	NR	11.25	7.10	13000	15000
	58	16	1.0	0.175	62/28	ZZ	2RS	NR	16.11	9.36	11000	13000
	68	18	1.1	0.287	63/28	ZZ	2RS	NR	24.03	13.44	10000	12000
30	37	4	0.2	0.008	6706		2RS		2.05	1.78	17000	20000
	42	7	0.3	0.024	6806	ZZ	2RS		4.23	3.50	14000	17000
	47	9	0.3	0.052	6906	ZZ	2RS		6.53	4.80	13000	16000
	55	9	0.3	0.087	16006	ZZ	2RS		10.08	7.06	12000	14000
	55	13	1.0	0.116	6006	ZZ	2RS	NR	11.88	7.97	12000	14000
	62	16	1.0	0.199	6206	ZZ	2RS	NR	17.55	10.85	10000	12000
32	72	19	1.1	0.345	6306	ZZ	2RS	NR	24.03	14.40	9500	11000
	90	23	1.5	0.735	6406				43.50	23.90	8000	10000
	58	13	1.0	0.122	60/32	ZZ	2RS		13.59	8.78	11000	14000
	65	17	1.0	0.225	62/32	ZZ	2RS		18.63	11.14	10000	11000
	75	20	1.1	0.389	63/32	ZZ	2RS	NR	26.82	16.22	9000	10000
	47	7	0.3	0.027	6807	ZZ	2RS		4.41	3.89	12000	15000
35	55	10	0.6	0.075	6907	ZZ	2RS		10.08	7.15	11000	14000
	62	9	0.3	0.107	16007	ZZ	2RS		10.53	7.87	11000	13000
	62	14	1.0	0.151	6007	ZZ	2RS	NR	14.40	9.89	11000	13000
	72	17	1.1	0.284	6207	ZZ	2RS	NR	23.13	14.69	9300	10000
	80	21	1.5	0.464	6307	ZZ	2RS	NR	30.15	18.34	8400	9500
	100	25	1.5	0.952	6407				55.00	31.00	7800	9100
40	52	7	0.3	0.031	6808	ZZ	2RS		4.59	4.22	11000	13000
	62	12	0.6	0.112	6908	ZZ	2RS		13.14	9.79	10000	12000
	68	9	0.3	0.130	16008	ZZ	2RS		11.34	9.26	9500	11000
	68	15	1.0	0.190	6008	ZZ	2RS	NR	15.12	11.04	9500	11000
	80	18	1.1	0.366	6208	ZZ	2RS	NR	26.19	17.09	8300	9500
	90	23	1.5	0.636	6308	ZZ	2RS	NR	36.45	23.04	7400	8700
45	110	27	2.0	1.230	6408				63.50	36.50	7000	8200
	58	7	0.3	0.038	6809	ZZ	2RS		5.76	5.42	10000	11000
	68	12	0.6	0.126	6909	ZZ	2RS		13.59	10.75	9300	11000
	75	10	0.6	0.167	16009	ZZ	2RS		11.61	10.08	8700	10000
	75	16	1.0	0.241	6009	ZZ	2RS	NR	18.90	14.50	8700	10000
	85	19	1.1	0.420	6209	ZZ	2RS	NR	29.25	19.58	7400	8700
100	25	1.5	0.829	6309	ZZ	2RS	NR	47.70	30.72	6700	7800	



Principal dimensions (mm)	Weight	Bearing Number				Basic Load Rating (kN)		Limiting Speed (rpm)					
		d	D	B	r _{min}	Kg	Open	W/Shields	W/Seals	W/Snap Ring	Dynamic Cr	Static Cor	Grease
45	120	29	2.0	1.530	6409					77.00	45.00	6300	7400
50	65	7	0.3	0.050	6810	ZZ		2RS		5.94	5.86	9100	10000
	72	12	0.6	0.135	6910	ZZ		2RS		14.04	11.71	8500	10000
80	10	0.6	0.175	16010	ZZ			2RS		11.88	10.85	8000	9300
80	16	1.0	0.261	6010	ZZ			2RS	NR	19.62	15.94	8000	9300
90	20	1.1	0.459	6210	ZZ			2RS	NR	31.50	22.37	6700	7900
110	27	2.0	1.060	6310	ZZ			2RS	NR	55.80	36.96	6100	7100
130	31	2.1	1.880	6410						83.00	49.50	5700	6700
55	72	9	0.3	0.081	6811	ZZ		2RS		7.92	7.78	8300	9500
	80	13	1.0	0.189	6911	ZZ		2RS		14.40	12.77	7800	9100
90	11	0.6	0.257	16011	ZZ			2RS		16.74	14.69	7300	8600
90	18	1.1	0.381	6011	ZZ			2RS	NR	25.47	20.35	7300	8600
100	21	1.5	0.619	6211	ZZ			2RS	NR	39.15	28.03	6100	7200
120	29	2.0	1.370	6311	ZZ			2RS	NR	64.35	43.20	5500	6500
140	33	2.1	2.290	6411						89.00	54.00	5200	6100
60	78	10	0.3	0.103	6812	ZZ		2RS		10.35	10.18	7600	8900
	85	13	1.0	0.192	6912	ZZ		2RS		14.76	13.73	7200	8500
95	11	0.6	0.281	16012	ZZ			2RS		18.00	16.80	6700	7900
95	18	1.1	0.412	6012	ZZ			2RS	NR	26.55	22.27	6700	7900
110	22	1.5	0.783	6212	ZZ			2RS	NR	47.25	34.56	5700	6700
130	31	2.1	1.720	6312	ZZ			2RS	NR	73.80	49.92	5100	6000
150	35	2.1	2.770	6412						102.00	64.50	4800	5700
65	85	10	0.6	0.128	6813	ZZ		2RS		10.44	10.56	7000	8300
	90	13	1.0	0.218	6913	ZZ		2RS		15.66	15.46	6700	7800
100	11	0.6	0.300	16013	ZZ			2RS		18.45	17.95	6200	7300
100	18	1.1	0.439	6013	ZZ			2RS	NR	27.45	24.19	6200	7300
120	23	1.5	1.000	6213	ZZ			2RS	NR	51.75	38.40	5200	6200
140	33	2.1	2.110	6313	ZZ			2RS	NR	83.25	57.60	4700	5500
160	37	2.1	3.300	6413						111.00	72.50	4400	5300
70	90	10	0.6	0.134	6814	ZZ		2RS		10.89	11.42	6600	7700
	100	16	1.0	0.349	6914	ZZ		2RS		21.33	20.35	6200	7300
110	13	0.6	0.441	16014	ZZ			2RS		21.96	21.70	5800	6700
110	20	1.1	0.608	6014	ZZ			2RS	NR	34.20	29.76	5800	6700
125	24	1.5	1.090	6214	ZZ			2RS	NR	55.80	42.24	4800	5700
150	35	2.1	2.570	6314	ZZ			2RS	NR	93.60	65.28	4400	5100
180	42	3.0	4.830	6414						128.00	89.50	4100	4800
75	95	10	0.6	0.149	6815	ZZ		2RS		11.25	12.38	6100	7200
	105	16	1.0	0.364	6915	ZZ		2RS		21.96	21.70	5800	6800
115	13	0.6	0.463	16015	ZZ			2RS		22.50	23.04	5400	6400
115	20	1.1	0.649	6015	ZZ			2RS	NR	35.55	32.16	5400	6400



Principal dimensions (mm)	Weight	Bearing Number				Basic Load Rating (kN)		Limiting Speed (rpm)					
		d	D	B	r _{min}	Kg	Open	W/Shields	W/Seals	W/Snap Ring	Dynamic Cr	Static Cor	Grease
75	130	25	1.5	1.190	6215	ZZ		2RS	NR	59.40	47.52	4600	5300
	160	37	2.1	3.080	6315	ZZ		2RS	NR	101.70	73.92	4100	4800
80	190	45	3.0	5.720	6415					138.00	99.00	3800	4500
	100	10	0.6	0.151	6816	ZZ		2RS		11.43	12.77	5700	6700
110	16	1.0	0.391	6916	ZZ			2RS		22.41	23.04	5400	6400
125	14	0.6	0.621	16016	ZZ			2RS		22.86	24.10	5000	5900
125	22	1.1	0.872	6016	ZZ			2RS	NR	42.75	38.40	5000	5900
140	26	2.0	1.420	6216	ZZ			2RS	NR	65.25	60.48	4300	5000
170	39	2.1	3.670	6316	ZZ			2RS	NR	110.70	83.04	3800	4500
200	48	3.0	6.760	6416						164.00	125.00	3600	4200
85	110	13	1.0	0.263	6817	ZZ		2RS		16.83	18.24	5400	6400
	120	18	1.1	0.550	6917	ZZ		2RS		28.80	28.42	5100	6000
130	14	0.6	0.652	16017	ZZ			2RS		23.31	25.15	4800	5600
130	22	1.1	0.918	6017	ZZ			2RS	NR	44.55	41.28	4800	5600
150	28	2.0	1.760	6217	ZZ			2RS	NR	75.15	61.44	4000	4800
180	41	3.0	4.280	6317	ZZ			2RS	NR	119.70	93.12	3600	4300
210	52	4.0	7.950	6417						165.00	128.00	3400	4000
90	115	13	1.0	0.276	6818	ZZ		2RS		17.10	18.91	5100	6000
	125	18	1.1	0.585	6918	ZZ		2RS		29.70	30.24	4800	5700
140	16	1.0	0.873	16018	ZZ			2RS		30.15	32.16	4500	5300
140	24	1.5	1.190	6018	ZZ			2RS	NR	52.20	47.52	4500	5300
160	30	2.0	2.180	6218	ZZ			2RS	NR	86.40	68.64	3800	4500
190	43	3.0	4.980	6318	ZZ			2RS	NR	128.70	102.72	3400	4000
225	54	4.0	11.40	6418						184.00	148.00	3200	3800
95	120	13	1.0	0.297	6819	ZZ		2RS		17.37	19.68	4800	5600
	130	18	1.1	0.601	6919	ZZ		2RS		30.15	32.16	4600	5400
145	16	1.0	0.904	16019	ZZ			2RS		31.05	33.60	4300	5000
145	24	1.5	1.230	6019	ZZ			2RS	NR	54.45	51.84	4300	5000
170	32	2.1	2.640	6219	ZZ			2RS	NR	98.10	78.72	3500	4200
200	45	3.0	5.760	6319	ZZ			2RS	NR	137.70	114.24	3100	3700
240	55	4.0	13.400	6419						186.00	153.00	3000	3500
100	125	13	1.0	0.310	6820	ZZ		2RS	NR	17.64	20.35	4600	5300
	140	20	1.1	0.828	6920	ZZ		2RS	NR	36.90	37.92	4300	5000
150	24	1.5	1.290	6020	ZZ			2RS	NR	54.00	51.84	4000	4800
180	34	2.1	3.170	6220	ZZ			2RS	NR	109.80	89.28	3300	4000
215	47	3.0	7.040	6320	ZZ				NR	155.70	135.36	3000	3500
250	58	4.0	15.000	6420						206.00	175.00	2900	3400
105	160	26	2.0	1.590	6021	ZZ		2RS	NR	72.50	65.50	4000	4700
	190	36	2.1	3.700	6221	ZZ		2RS	NR	133.00	105.00	3400	4000
225	49	3.0	8.050	6321	ZZ			2RS		184.00	153.00	3000	3600



d	Principal dimensions (mm)			Weight Kg	Bearing Number				Basic Load Rating (kN)		Limiting Speed (rpm)	
	D	B	r _{min}		Open	W/Shields	W/Seals	W/Snap Ring	Dynamic Cr	Static Cor	Grease	Oil
105	250	58	4.0	15.000	6420				206.00	175.00	2900	3400
110	170	28	2.0	1.960	6022	ZZ	2RS	NR	82.00	73.00	3800	4500
	200	38	2.1	4.360	6222	ZZ	2RS	NR	144.00	117.00	3200	3800
	240	50	3.0	9.540	6322	ZZ	2RS		205.00	179.00	2900	3400
	280	65	4.0	21.300	6422				247.00	227.00	2600	3000
120	180	28	2.0	2.070	6024	ZZ	2RS	NR	85.00	79.50	3500	4100
	215	40	2.1	5.150	6224	ZZ	2RS		155.00	131.00	2900	3400
	260	55	3.0	12.400	6324				207.00	185.00	2600	3100
	310	72	5.0	29.000	6424				291.00	287.00	2300	2800
130	200	33	2.0	3.160	6026		2RS	NR	106.00	101.00	3200	3800
	230	40	3.0	5.820	6226				167.00	146.00	2700	3100
	280	58	4.0	15.30	6326				229.00	214.00	2400	2800
	340	78	5.0	38.000	6426				300.00	298.00	2200	2500
140	175	18	1.1	0.850	6828	ZZ	RS	NR	39.20	46.00	3400	4000
	190	24	1.5	1.589	6928	ZZ	RS	NR	66.60	71.20	2800	3600
	210	22	1.1	2.004	16028	ZZ	RS	NR	82.10	85.00	3000	3600
	210	33	2.0	3.350	6028	ZZ	RS	NR	111.00	108.00	3000	3500
	250	42	3.0	7.450	6228	ZZ	RS	NR	165.00	125.00	2500	2900
	300	62	3.0	18.500	6328	ZZ	RS	NR	251.10	245.00	2200	2600
150	190	20	1.1	0.980	6830	ZZ	RS	NR	49.10	57.10	3100	3700
	210	28	2.0	2.454	6930	ZZ	RS	NR	84.70	90.20	3000	3500
	225	24	1.1	2.638	16030	ZZ	RS	NR	91.90	98.50	2600	3200
	225	35	2.1	4.800	6030	ZZ	RS	NR	125.00	125.00	2800	3200
	270	45	3.0	9.400	6230	ZZ	RS	NR	174.00	137.00	2300	2700
	320	65	4.0	22.000	6330	ZZ	RS	NR	274.00	284.00	2100	2400
160	200	20	1.1	1.187	6832	ZZ	RS	NR	45.20	55.10	2900	3400
	220	28	2.0	2.589	6932	ZZ	RS	NR	86.90	95.50	2800	3300
	240	25	1.5	4.610	16032	ZZ	RS	NR	72.00	104.00	2400	3000
	240	38	2.1	5.050	6032	ZZ	RS	NR	143.00	144.00	2600	3000
	290	48	3.0	11.700	6232	ZZ	RS	NR	185.00	186.00	2100	2500
	340	68	4.0	26.000	6332	ZZ	RS	NR	278.00	286.00	1900	2300