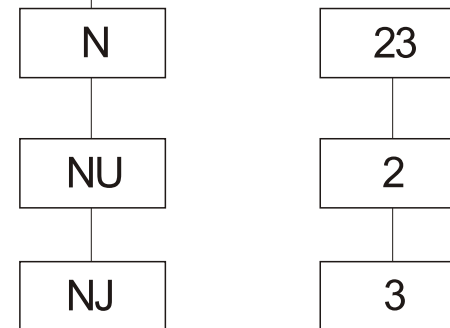




TYPE CODE:

N NJ NU NF NUP



SIZE DESIGNATION:

- 0: N 1000
- 2: N 200
- 2: N 2200
- 3: N 300
- 3: N 2300
- 4: N 400

TOLERANCE CLASS

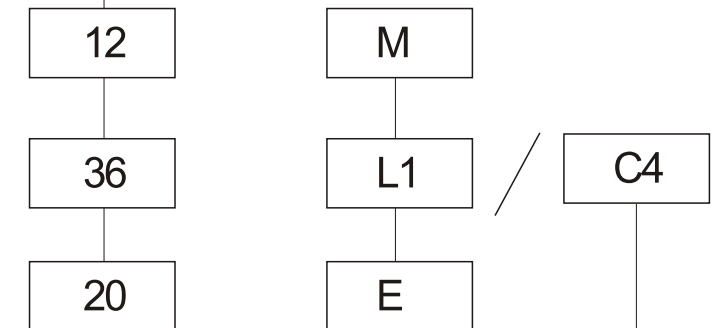
- /P0: Equal tolerance class ABEC1
- /P6: Equal tolerance class ABEC3
- /P5: Equal tolerance class ABEC5
- /P4: Equal tolerance class ABEC7
- /P2: Equal tolerance class ABEC9

WORKING TEMPERATURE:

- /S0: Working temperature is up to 150° C
- /S1: Working temperature is up to 200° C
- /S2: Working temperature is up to 250° C
- /S3: Working temperature is up to 300° C
- /S4: Working temperature is up to 350° C

I.D.

- 5 X -- = mm
- 5 X 12 = 60mm
- 5 X 20 = 100mm
- 5 X 36 = 180mm

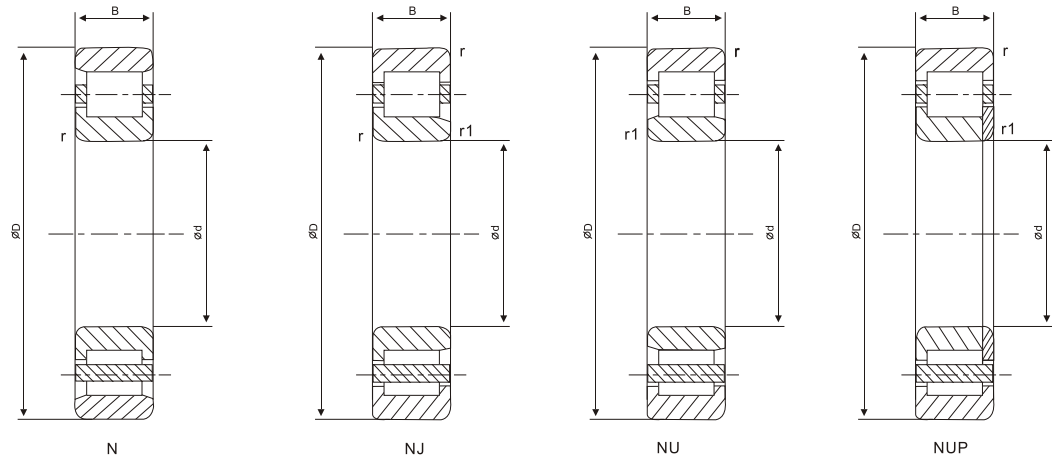


DESIGNS, TYPES AND FEATURES

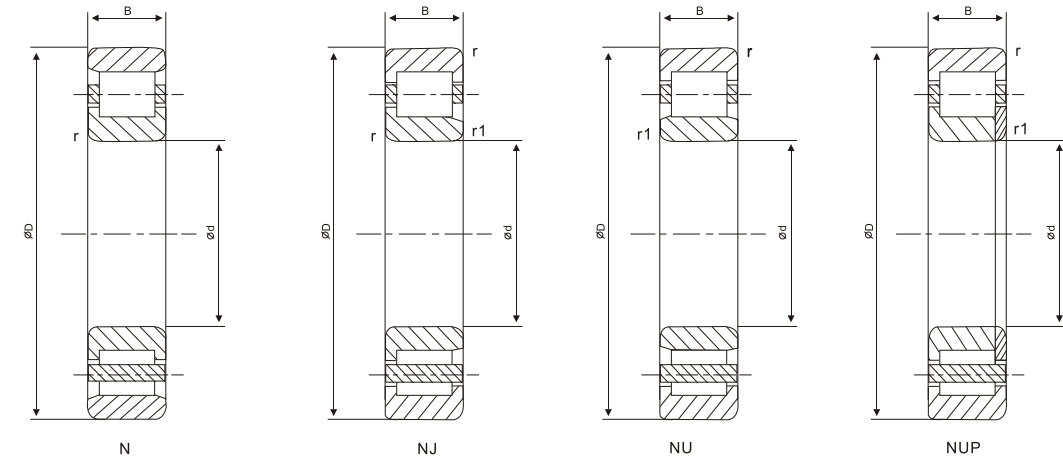
- E: Reinforced structure
- M: Brass solid retainer
- L1: Aluminum alloy retainer
- Q1: Al-Fe bronze retainer
- N: With snap ring groove on outer ring
- V: Full capacity rollers, without cage
- P: Glass-fiber reinforced nylon cage, roller guidance
- X: Dimensions according to ISO standard

CLEARANCE:

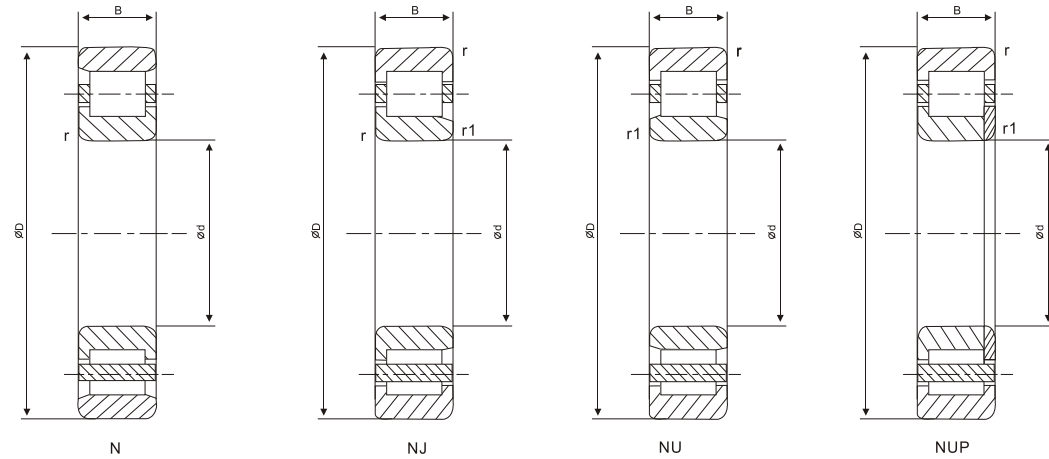
- /C2: Less than normal clearance
- /C0: Normal clearance, omissible
- /C3: Larger clearance than C0
- /C4: Larger clearance than C3
- /C5: Larger clearance than C4



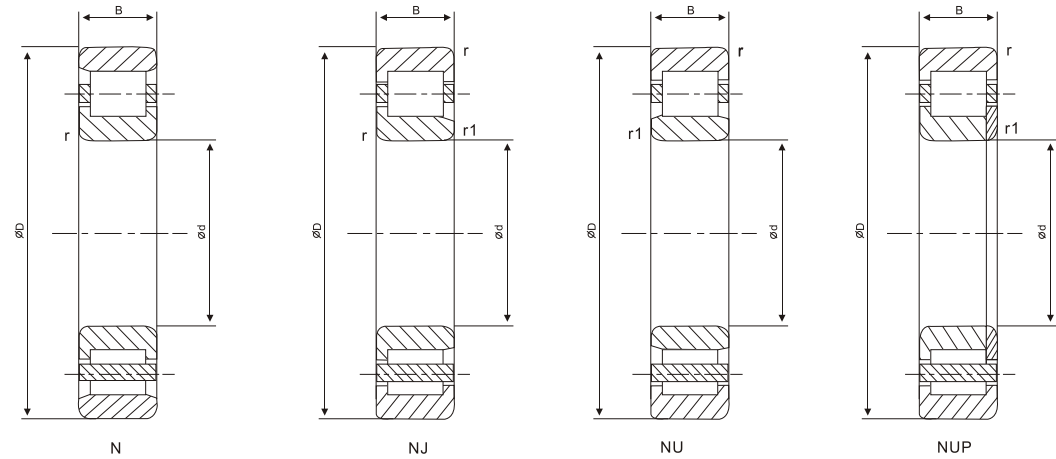
d	Principal dimensions (mm)				Weight Kg	Bearing Number	Basic Load Rating (kN)		Limiting Speed (rpm)	
	D	B	r _{min}	r _{sm}			Dynamic Cr	Static Cor	Grease	Oil
15	35	11	0.6	0.3	0.050	N202	12.7	10.4	20000	22000
	35	11	0.6	0.3	0.050	NJ202	12.7	10.4	20000	22000
	35	11	0.6	0.3	0.050	NU202	12.7	10.4	20000	22000
17	40	12	0.6	0.3	0.060	N203	17.6	14.6	10000	18000
	40	12	0.6	0.3	0.060	NJ203	14.5	12.8	18000	18000
20	47	14	1.0	0.6	0.109	N204	16.6	13.9	17000	20000
	47	14	1.0	0.6	0.111	NJ204	16.6	13.9	17000	20000
	47	14	1.0	0.6	0.111	NU204	16.6	13.9	17000	20000
25	52	15	1.1	0.6	0.149	N304	23.1	19.2	14000	17000
	52	15	1.1	0.6	0.153	NJ304	23.1	19.2	14000	17000
	52	15	1.1	0.6	0.153	NU304	23.1	19.2	14000	17000
25	52	15	1.0	0.6	0.134	N205	18.8	17.0	14000	16000
	52	15	1.0	0.6	0.137	NJ205	18.8	17.0	14000	17000
	52	18	1.1	0.6	0.170	NJ2205V	35.3	29.4	12000	25000
	52	15	1.0	0.6	0.137	NU205	18.8	17.0	14000	16000
	62	17	1.1	1.1	0.235	N305	31.5	27.7	12000	14000
	62	17	1.1	1.1	0.241	NJ305	31.5	27.7	12000	14000
30	62	17	1.1	1.1	0.241	NU305	31.5	27.7	12000	14000
	62	24	1.1	1.1	0.370	NJ2305V	67.0	72.7	7200	10000
	62	16	1.0	0.6	0.203	N206	24.9	23.3	12000	14000
	62	16	1.0	0.6	0.207	NJ206	24.9	23.3	12000	14000
	62	16	1.0	0.6	0.207	NU206	24.9	23.3	12000	14000
	72	19	1.1	1.1	0.350	N306	38.5	35.0	10000	12000
35	72	19	1.1	1.1	0.358	NJ306	38.5	35.0	10000	12000
	72	19	1.1	1.1	0.358	NU306	38.5	35.0	10000	12000
	72	17	1.1	0.6	0.289	N207	35.5	34.0	11000	12000
	72	17	1.1	0.6	0.295	NJ207	35.5	34.0	11000	12000
	72	17	1.1	0.6	0.295	NU207	35.5	34.0	11000	12000
	80	21	1.5	1.1	0.451	N307	49.5	47.0	9000	11000
40	80	21	1.5	1.1	0.461	NJ307	49.5	47.0	9000	11000
	80	21	1.5	1.1	0.461	NU307	49.5	47.0	9000	11000
	80	21	1.5	1.5	0.536	NUP307V	77.2	78.6	10000	23000
	80	18	1.1	1.1	0.370	N208	43.5	43.0	9400	11000
	80	18	1.1	1.1	0.378	NJ208	43.5	43.0	9400	11000
	80	18	1.1	1.1	0.378	NU208	43.5	43.0	9400	11000



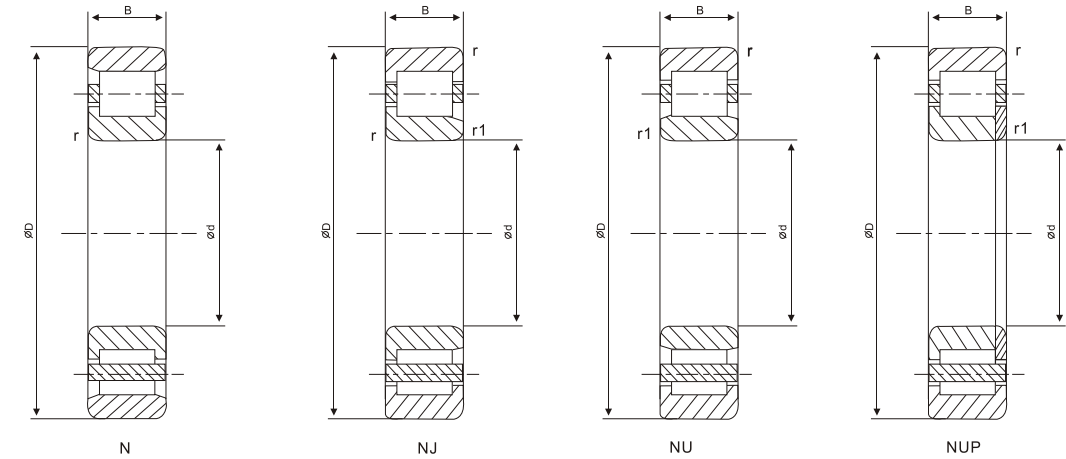
d	Principal dimensions (mm)				Weight Kg	Bearing Number	Basic Load Rating (kN)		Limiting Speed (rpm)	
	D	B	r _{min}	r _{sm}			Dynamic Cr	Static Cor	Grease	Oil
40	90	23	1.5	1.5	0.643	N308	58.5	57.0	8000	9400
	90	23	1.5	1.5	0.658	NJ308	58.5	57.0	8000	9400
	90	23	1.5	1.5	0.658	NU308	58.5	57.0	8000	9400
45	85	19	1.1	1.1	0.423	N209	46.0	47.0	8400	9900
	85	19	1.1	1.1	0.432	NJ209	46.0	47.0	8400	9900
	85	19	1.1	1.1	0.432	NU209	46.0	47.0	8400	9900
50	100	25	1.5	1.5	0.859	N309	79.0	77.5	7200	8400
	100	25	1.5	1.5	0.877	NJ309	79.0	77.5	7200	8400
	100	25	1.5	1.5	0.877	NU309	79.0	77.5	7200	8400
	100	25	2.5	2.5	1.019	NUP309NV	96.0	69.7	9000	14000
	100	25	1.5	1.5	1.000	NJ309V	117.0	125.0	4600	6000
	90	20	1.1	1.1	0.460	N210	50.5	54.5	7600	9000
55	90	20	1.1	1.1	0.470	NJ210	50.5	54.5	7600	9000
	90	20	1.1	1.1	0.470	NU210	50.5	54.5	7600	9000
	110	27	2.0	2.0	1.110	N310	87.0	86.0	6500	7700
	110	27	2.0	2.0	1.140	NJ310	87.0	86.0	6500	7700
	110	27	2.0	2.0	1.140	NU310	87.0	86.0	6500	7700
	110	27	2.0	2.0	1.280	NUP310NV	114.3	84.8	8500	14000
60	100	21	1.5	1.1	0.626	N211	61.0	66.5	6900	8200
	100	21	1.5	1.1	0.626	NJ211	61.0	66.5	6900	8200
	100	21	1.5	1.1	0.626	NU211	61.0	66.5	6900	8200
	120	29	2.0	2.0	1.420	N311	111.0	111.0	5900	7000
	120	29	2.0	2.0	1.450	NU311	111.0	111.0	5900	7000
	120	29	3.0	3.0	1.670	NUP311NV	122.5	92.7	7500	11000
65	110	22	1.5	1.5	0.802	N212	72.0	80.0	6400	7600
	110	22	1.5	1.5	0.802	NJ212	72.0	80.0	6400	7600
	110	22	1.5	1.5	0.802	NU212	72.0	80.0	6400	7600
	130	31	2.1	2.1	1.760	N312	124.0	126.0	5500	6500
	130	31	2.1	2.1	1.800	NU312	124.0	126.0	5500	6500
	120	23	1.5	1.5	1.000	N213	84.0	94.5	5900	7000
65	120	23	1.5	1.5	1.000	NJ213	84.0	94.5	5900	7000
	120	23	1.5	1.5	1.000	NU213	84.0	94.5	5900	7000
	140	33	2.1	2.1	2.180	N313	135.0	139.0	5100	6000
	140	33	2.1	2.1	2.230	NU313	135.0	139.0	5100	6000
	120	23	1.5	1.5	1.174	NUP213NV	115.3	110.2	6300	8900



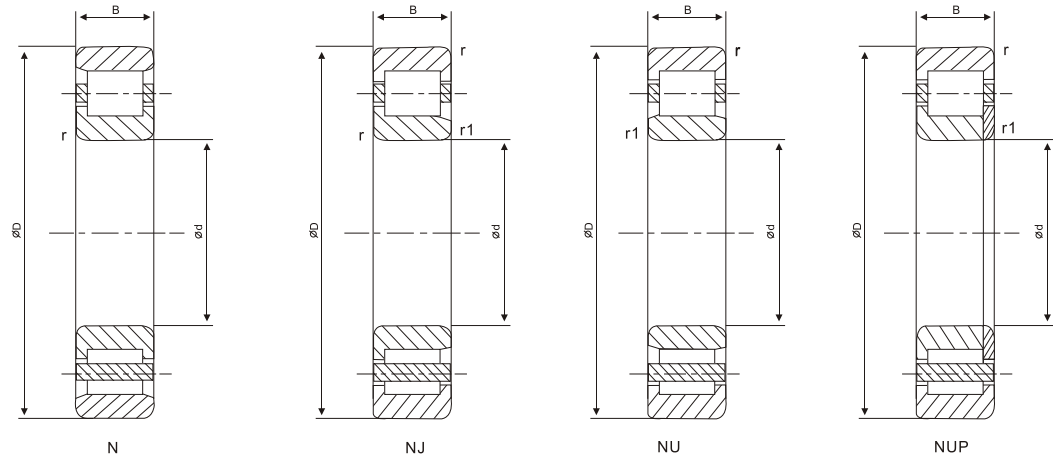
	Principal dimensions (mm)				Weight Kg	Bearing Number	Basic Load Rating (kN)		Limiting Speed (rpm)	
	d	D	B	r_{min}			r_{smin}	Dynamic Cr	Static Cor	Grease
70	125	24	1.5	1.5	1.10	N214	87.5	101.0	5500	6500
	125	24	1.5	1.5	1.10	NJ214	87.5	101.0	5500	6500
	125	24	1.5	1.5	1.10	NU214	87.5	101.0	5500	6500
75	150	35	2.1	2.1	2.65	N314	158.0	168.0	4700	5500
	150	35	2.1	2.1	2.71	NU314	158.0	168.0	4700	5500
	130	25	1.5	1.5	1.21	N215	101.0	118.0	5100	6000
80	130	25	1.5	1.5	1.21	NJ215	101.0	118.0	5100	6000
	130	25	1.5	1.5	1.21	NU215	101.0	118.0	5100	6000
	140	26	2.0	2.0	1.47	N216	111.0	130.0	4800	5700
85	140	26	2.0	2.0	1.47	NJ216	111.0	130.0	4800	5700
	140	26	2.0	2.0	1.47	NU216	111.0	130.0	4800	5700
	170	39	2.1	2.1	3.77	N316	201.0	223.0	4100	4800
90	170	39	2.1	2.1	3.86	NU316	201.0	223.0	4100	4800
	150	28	2.0	2.0	1.83	N217	126.0	149.0	4500	5300
	150	28	2.0	2.0	1.83	NJ217	126.0	149.0	4500	5300
95	150	28	2.0	2.0	1.83	NU217	126.0	149.0	4500	5300
	180	41	3.0	3.0	4.44	N317	225.0	247.0	3900	4600
	180	41	3.0	3.0	4.44	NU317	225.0	247.0	3900	4600
100	160	30	2.0	2.0	2.25	N218	152.0	178.0	4300	5000
	160	30	2.0	2.0	2.25	NJ218	152.0	178.0	4300	5000
	160	30	2.0	2.0	2.25	NU218	152.0	178.0	4300	5000
105	190	43	3.0	3.0	5.18	N318	240.0	265.0	3700	4300
	190	43	3.0	3.0	5.18	NU318	240.0	265.0	3700	4300
	170	32	2.1	2.1	2.72	N219	166.0	195.0	4000	4700
110	170	32	2.1	2.1	2.72	NJ219	166.0	195.0	4000	4700
	170	32	2.1	2.1	2.72	NU219	166.0	195.0	4000	4700
	200	45	3.0	3.0	5.99	N319	274.0	310.0	3400	4000
	200	45	3.0	3.0	5.99	NU319	274.0	310.0	3400	4000



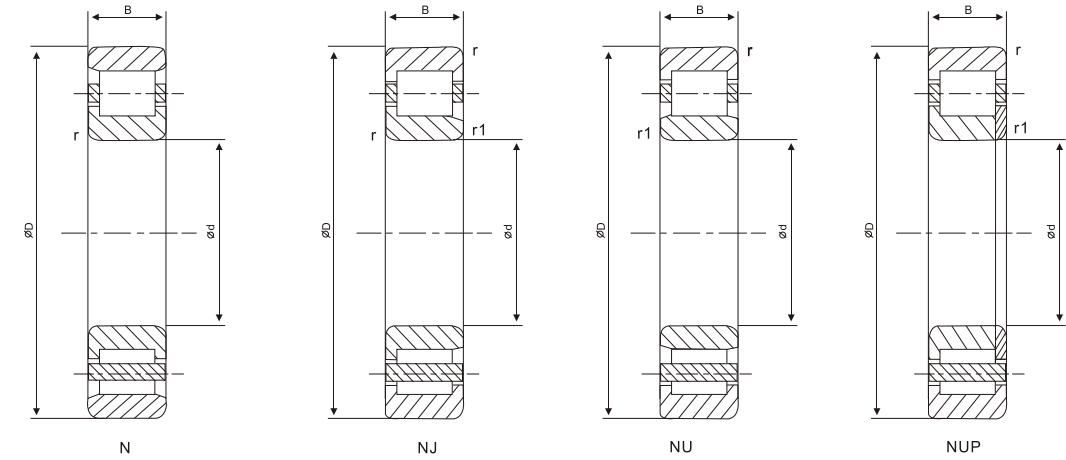
d	Principal dimensions (mm)				Weight Kg	Bearing Number	Basic Load Rating (kN)		Limiting Speed (rpm)	
	D	B	r _{1min}	r _{1min}			Dynamic Cr	Static Cor	Grease	Oil
20	52	15	1.1	0.6	0.150	NUP304	20.7	17.3	12000	14000
	47	18	1.0	0.6	0.144	NU2204	20.6	18.7	14000	17000
25	47	18	1.0	0.6	0.140	NUP2204	20.6	18.7	14000	17000
	47	18	1.0	0.6	0.140	NJ2204	30.5	28.3	13000	16000
25	62	17	1.1	1.1	0.250	NUP305	29.2	35.2	9500	12000
	80	21	1.5	1.5	0.620	N405	46.5	40.0	7500	9000
30	80	21	1.5	1.5	0.570	NU405	46.5	40.0	7500	9000
	80	21	1.5	1.5	0.620	NUP405	46.5	40.0	7500	9000
35	80	21	1.5	1.5	0.620	NJ405	46.5	40.0	7500	9000
	52	18	1.0	0.6	0.167	NU2205	24.3	23.5	11000	13000
40	52	18	1.0	0.6	0.170	NUP2205	24.3	23.5	11000	13000
	52	18	1.0	0.6	0.180	NJ2205	24.3	23.5	11000	13000
45	62	24	1.1	1.1	0.346	NU2305	42.5	41.0	9300	11000
	62	24	1.1	1.1	0.390	NJ2305	42.5	41.0	9300	11000
50	72	19	1.1	1.1	0.380	NUP306	38.5	35.0	8500	10000
	90	23	1.5	1.5	0.880	N406	62.5	55.0	7500	9000
55	90	23	1.5	1.5	0.758	NU406	62.5	55.0	7500	9000
	90	23	1.5	1.5	0.880	NUP406	62.5	55.0	7500	9000
60	90	23	1.5	1.5	0.880	NJ406	62.5	55.0	7500	9000
	62	20	1.0	0.6	0.266	NU2206	33.0	33.0	9200	11000
65	62	20	1.0	0.6	0.270	NUP2206	33.0	33.0	9200	11000
	62	20	1.0	0.6	0.270	NJ2206	33.0	33.0	9200	11000
70	72	27	1.1	1.1	0.514	NU2306	51.5	51.0	8200	9800
	72	27	1.1	1.1	0.550	NUP2306	51.5	51.0	8200	9800
75	72	27	1.1	1.1	0.540	NJ2306	51.5	51.0	8200	9800
	55	19	1.0	1.0	0.191	NN3006	30.5	37.0	12000	15000
80	80	21	1.5	1.1	0.510	NUP307	49.5	47.0	8000	9500
	100	25	1.5	1.5	0.980	N407	75.0	69.0	6700	8000
85	100	25	1.5	1.5	1.010	NU407	75.0	69.0	6700	8000
	100	25	1.5	1.5	0.980	NUP407	75.0	69.0	6700	8000
90	100	25	1.5	1.5	0.980	NJ407	75.0	69.0	6700	8000
	72	23	1.1	0.6	0.414	NU2207	49.0	51.0	8500	10000
95	72	23	1.1	0.6	0.420	NUP2207	49.0	51.0	8500	10000
	72	23	1.1	0.6	0.410	NJ2207	49.0	51.0	8500	10000



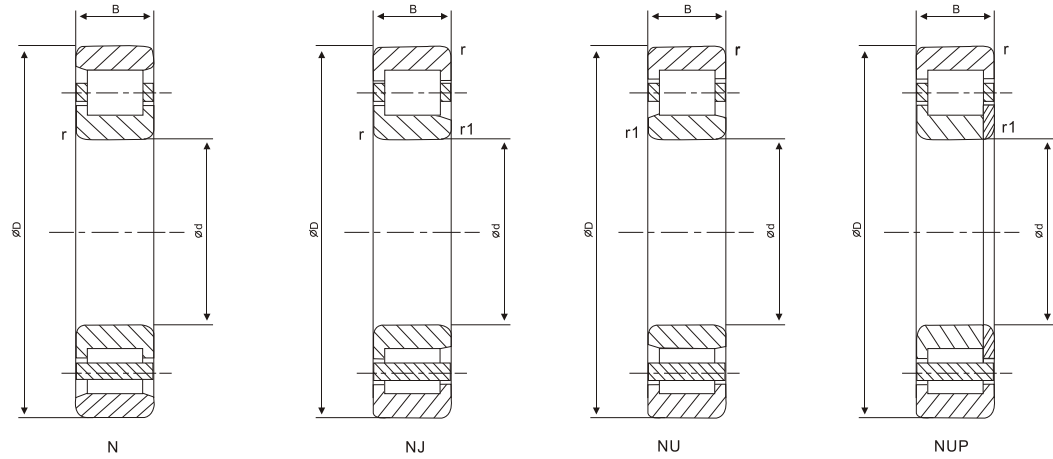
d	Principal dimensions (mm)				Weight Kg	Bearing Number	Basic Load Rating (kN)		Limiting Speed (rpm)	
	D	B	r _{1min}	r _{1min}			Dynamic Cr	Static Cor	Grease	Oil
35	80	31	1.5	1.1	0.702	NU2307	60.5	60.0	7200	8600
	80	31	1.5	1.1	0.750	NUP2307	60.5	60.0	7200	8600
40	80	31	1.5	1.1	0.730	NJ2307	60.5	60.0	7200	8600
	62	20	1.0	1.0	0.249	NN3007	39.0	50.0	11000	13000
45	90	23	1.5	1.5	0.680	NUP308	58.5	57.0	6700	8000
	110	27	2.0	2.0	1.150	N408	95.5	89.0	6000	7000
50	110	27	2.0	2.0	1.150	NJ408	95.5	89.0	6000	7000
	110	27	2.0	2.0	1.280	NU408	95.5	89.0	6000	7000
55	110	27	2.0	2.0	1.150	NUP408	95.5	89.0	6000	7000
	80	23	1.1	1.1	0.496	NU2208	58.0	62.0	7500	9000
60	80	23	1.1	1.1	0.560	NUP2208	58.0	62.0	7500	9000
	80	23	1.1	1.1	0.550	NJ2208	58.0	62.0	7500	9000
65	90	33	1.5	1.5	0.962	NU2308	82.0	88.0	6500	7800
	90	33	1.5	1.5	0.980	NUP2308	82.0	88.0	6500	7800
70	90	33	1.5	1.5	0.960	NJ2308	82.0	88.0	6500	7800
	68	21	1.0	1.0	0.303	NN3008	43.0	55.5	9800	11000
75	100	25	1.5	1.5	0.950	NUP309	78.5	77.5	6300	7500
	120	29	2.0	2.0	1.770	N409	107.0	102.0	5600	6700
80	120	29	2.0	2.0	1.770	NJ409	107.0	102.0	5600	6700
	120	29	2.0	2.0	1.620	NU409	107.0	102.0	5600	6700
85	120	29	2.0	2.0	1.770	NUP409	107.0	102.0	5600	6700
	85	23	1.1	1.1	0.541	NU2209	61.5	67.5	7400	8900
90	85	23	1.1	1.1	0.550	NUP2209	61.5	67.5	7400	8900
	85	23	1.1	1.1	0.540	NJ2209	61.5	67.5	7400	8900
95	100	36	1.5	1.5	1.260	NU2309	99.0	104.0	6100	7300
	100	36	1.5	1.5	1.350	NUP2309	99.0	104.0	6100	7300
100	100	36	1.5	1.5	1.350	NJ2309	99.0	104.0	6100	7300
	75	23	1.0	1.0	0.393	NN3009	49.5	65.5	8800	10000
105	85	30.16	1.1	1.1	0.843	NU5209XPC3	86.0	119.0	6300	7500
	110	27	2.0	2.0	1.200	NUP310	86.5	86.0	5600	6700
110	130	31	2.1	2.1	2.260	N410	138.0	136.0	5000	6000
	130	31	2.1	2.1	1.990	NU410	138.0	136.0	5000	6000
115	130	31	2.1	2.1	2.260	NJ410	138.0	136.0	5000	6000
	130	31	2.1	2.1	2.260	NUP410	138.0	136.0	5000	6000



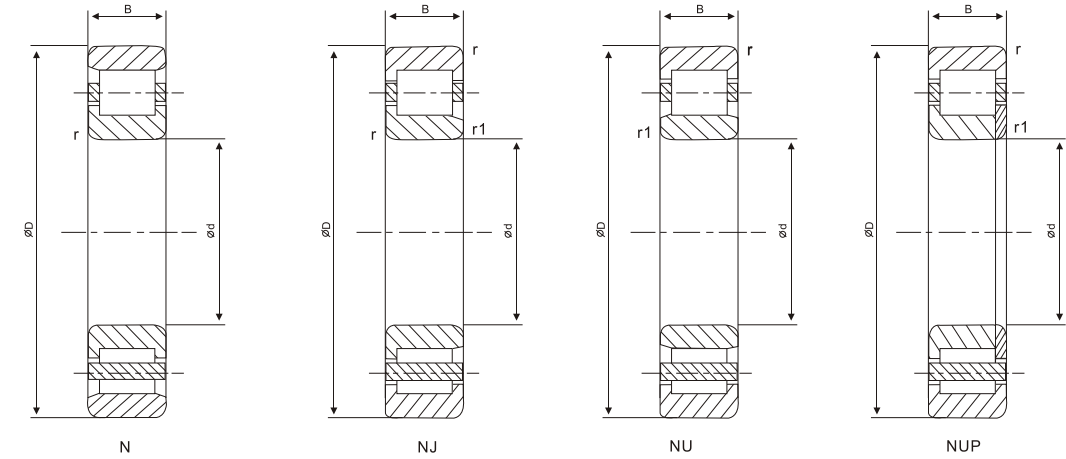
d	Principal dimensions (mm)				Weight Kg	Bearing Number	Basic Load Rating (kN)		Limiting Speed (rpm)	
	D	B	r _{min}	r _{min}			Dynamic Cr	Static Cor	Grease	Oil
50	90	23.00	1.1	1.1	0.580	NU2210	64.0	73.5	6500	7800
	90	23.00	1.1	1.1	0.590	NUP2210	64.0	73.5	6500	7800
	90	23.00	1.1	1.1	0.590	NJ2210	64.0	73.5	6500	7800
	110	40.00	2.0	2.0	1.700	NU2310	120.0	131.0	5400	6500
	110	40.00	2.0	2.0	1.750	NJ2310	120.0	131.0	5400	6500
	80	23.00	1.0	1.0	0.426	NN3010	52.5	72.5	8200	9600
	90	30.16	1.1	1.1	0.902	NU5210XPC3	90.0	128.0	6300	7500
55	120	29.00	2.0	2.0	1.550	NUP311	110.0	111.0	5000	6000
	120	29.00	2.0	2.0	1.500	NJ311	110.0	111.0	5000	6000
	140	33.00	2.1	2.1	2.950	N411	139.0	138.0	4800	5600
	140	33.00	2.1	2.1	2.500	NU411	139.0	138.0	4800	5600
	140	33.00	2.1	2.1	2.950	NJ411	139.0	138.0	4800	5600
	140	33.00	2.1	2.1	3.200	NUP412	139.0	138.0	4800	5600
	100	25.00	1.5	1.1	0.787	NU2211	75.0	87.0	6200	7400
	100	25.00	1.5	1.1	0.820	NUP2211	75.0	87.0	6200	7400
	100	25.00	1.5	1.1	0.810	NJ2211	75.0	87.0	6200	7400
	120	43.00	2.0	2.0	2.160	NU2311	148.0	162.0	4800	5600
	120	43.00	2.0	2.0	2.300	NJ2311	148.0	162.0	4800	5600
		90	26.00	1.1	1.1	0.630	NN3011	69.0	96.5	7300
	90	26.00	1.1	1.1	0.631	NN3011K/W33	69.0	96.5	7300	8600
	100	33.34	1.1	1.1	1.210	NU5211XPC3	107.0	155.0	4800	5600
60	130	31.00	2.1	2.1	1.950	NUP312	123.0	126.0	4800	5600
	130	31.00	2.1	2.1	1.900	NJ312	123.0	126.0	4800	5600
	150	35.00	2.1	2.1	3.000	N412	167.0	168.0	4300	5000
	150	35.00	2.1	2.1	3.040	NU412	167.0	168.0	4300	5000
	150	35.00	2.1	2.1	3.200	NJ412	167.0	168.0	4300	5000
	110	28.00	1.5	1.5	1.090	NU2212	96.0	116.0	5300	6300
	110	28.00	1.5	1.5	1.150	NUP2212	96.0	116.0	5300	6300
	110	28.00	1.5	1.5	1.150	NJ2212	96.0	116.0	5300	6300
	130	46.00	2.1	2.1	2.690	NU2312	168.0	188.0	4300	5000
	130	46.00	2.1	2.1	1.450	NJ2312	168.0	188.0	4300	5000
	95	26.00	1.1	1.1	0.674	NN3012	73.0	106.0	6800	8000
	95	26.00	1.1	1.1	0.683	NN3012K/W33	73.0	106.0	6800	8000
	110	36.51	1.5	1.5	1.750	NU5212XPC3	136.0	194.0	4800	5600



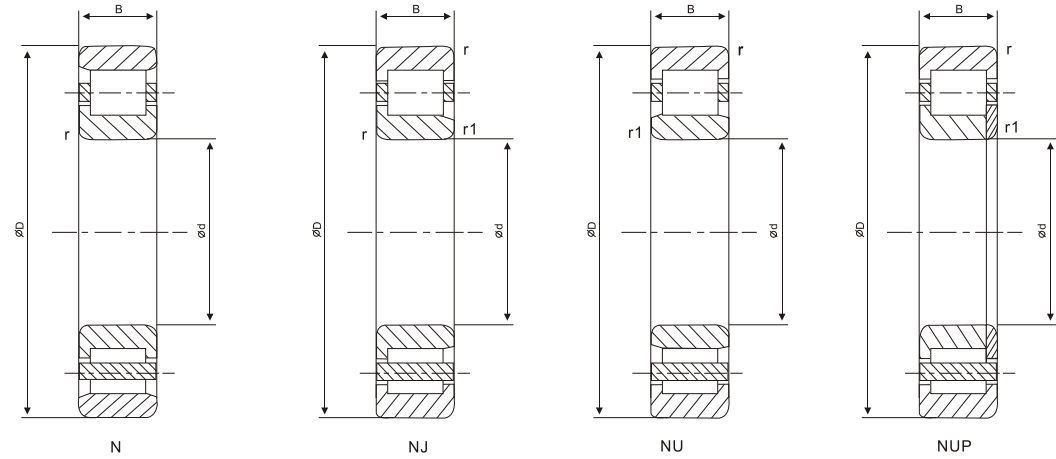
d	Principal dimensions (mm)				Weight Kg	Bearing Number	Basic Load Rating (kN)		Limiting Speed (rpm)	
	D	B	r _{min}	r _{min}			Dynamic Cr	Static Cor	Grease	Oil
65	140	33.00	2.1	2.1	2.350	NUP313	135.0	139	4500	5300
	140	33.00	2.1	2.1	2.300	NJ313	135.0	139	4500	5300
	160	37.00	2.1	2.1	3.630	NU413	195.0	203	4000	4800
	160	37.00	2.1	2.1	3.650	NJ413	195.0	203	4000	4800
	120	31.00	1.5	1.5	1.470	NU2213	120.0	149	4800	5600
	120	31.00	1.5	1.5	1.500	NUP2213	120.0	149	4800	5600
	120	31.00	1.5	1.5	1.450	NJ2213	120.0	149	4800	5600
	140	48.00	2.1	2.1	3.250	NU2313	187.0	212	4000	4800
	140	48.00	2.1	2.1	3.350	NJ2313	187.0	212	4000	4800
	100	26.00	1.1	1.1	0.715	NN3013	76.5	116	6400	7600
	120	38.10	1.5	1.5	1.960	NU5213XPC3	151.0	218	4000	4800
70	150	35.00	2.1	2.1	2.850	NUP314	158.0	220	4000	4800
	150	35.00	2.1	2.1	2.800	NJ314	158.0	220	4000	4800
	180	42.00	3.0	3.0	5.280	NU414	228.0	235	3600	4300
	180	42.00	3.0	3.0	5.350	NJ414	228.0	235	3600	4300
	125	31.00	1.5	1.5	1.530	NU2214	119.0	151	4800	5600
	125	31.00	1.5	1.5	1.550	NUP2214	119.0	151	4800	5600
	125	31.00	1.5	1.5	1.550	NJ2214	119.0	151	4800	5600
	150	51.00	2.1	2.1	4.040	NU2314	223.0	262	3800	4500
	150	51.00	2.1	2.1	4.150	NUP2314	223.0	262	3800	4500
	150	51.00	2.1	2.1	4.050	NJ2314	223.0	262	3800	4500
	110	30.00	1.1	1.1	1.040	NN3014	97.0	148	5700	6800
	125	39.69	1.5	1.5	2.170	NU5214XPC3	151.0	232	4500	5300
75	160	37.00	2.1	2.1	3.450	NUP315	190.0	205	3800	4500
	160	37.00	2.1	2.1	3.350	NJ315	190.0	205	3800	4500
	190	45.00	3.0	3.0	6.270	NU415	262.0	274	3400	4000
	190	45.00	3.0	3.0	6.900	NJ415	262.0	274	3400	4000
	130	31.00	1.5	1.5	1.580	NU2215	129.0	162	4500	5300
	130	31.00	1.5	1.5	1.650	NUP2215	129.0	162	4500	5300
	130	31.00	1.5	1.5	1.600	NJ2215	129.0	162	4500	5300
	160	55.00	2.1	2.1	4.910	NU2315	258.0	300	3400	4000
	160	55.00	2.1	2.1	5.000	NJ2315	258.0	300	3400	4000
	115	30.00	1.1	1.1	1.090	NN3015	96.0	149	5500	6400
	130	41.28	1.5	1.5	2.270	NU5215XPC3	185.0	268	4000	4000



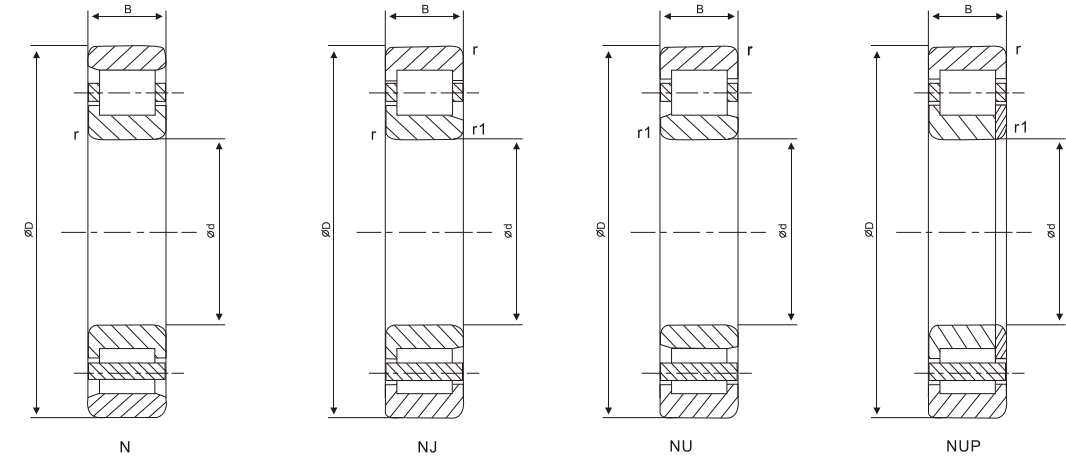
d	Principal dimensions (mm)				Weight Kg	Bearing Number	Basic Load Rating (kN)		Limiting Speed (rpm)	
	D	B	r _{min}	r _{min}			Dynamic Cr	Static Cor	Grease	Oil
80	170	39.00	2.1	2.1	4.10	NUP316	190	207	3600	4300
	170	39.00	2.1	2.1	4.00	NJ316	190	207	3600	4300
	200	48.00	3.0	3.0	7.36	NU416	299	315	3200	3800
	200	48.00	3.0	3.0	8.05	NJ416	299	315	3200	3800
	140	33.00	2.0	2.0	1.95	NU2216	147	186	4000	4800
	140	33.00	2.0	2.0	2.10	NUP2216	147	186	4000	4800
	140	33.00	2.0	2.0	2.05	NJ2216	147	186	4000	4800
	170	58.00	2.1	2.1	5.90	NU2316	274	330	3200	3800
85	170	58.00	2.1	2.1	6.00	NJ2316	274	330	3200	3800
	125	34.00	1.1	1.1	1.51	NN3016	118	186	5000	6000
	140	44.50	2.0	2.0	3.03	NU5216	197	305	4000	4800
	180	41.00	3.0	3.0	4.90	NUP317	224	247	3400	4000
	180	41.00	3.0	3.0	4.80	NJ317	224	247	3400	4000
	210	52.00	4.0	4.0	9.56	NU417	330	350	3000	3600
	210	52.00	4.0	4.0	8.90	NJ417	330	350	3000	3600
	150	36.00	2.0	2.0	2.58	NU2217	169	218	3800	4500
90	150	36.00	2.0	2.0	2.65	NUP2217	169	218	3800	4500
	150	36.00	2.0	2.0	2.56	NJ2217	169	218	3800	4500
	180	60.00	3.0	3.0	6.81	NU2317	315	380	3000	3600
	180	60.00	3.0	3.0	7.00	NJ2317	315	380	3000	3600
	130	34.00	1.1	1.1	1.58	NN3017	125	201	4800	5600
	150	49.21	2.0	2.0	3.88	NU5217XPC3	229	350	3800	4500
	190	43.00	3.0	3.0	5.65	NUP318	240	265	3200	3800
	190	43.00	3.0	3.0	5.55	NJ318	240	265	3200	3800
95	225	54.00	4.0	4.0	11.50	NU418	375	400	2800	3400
	225	54.00	4.0	4.0	11.00	NJ418	375	400	2800	3400
	160	40.00	2.0	2.0	3.18	NU2218	207	265	3600	4300
	160	40.00	2.0	2.0	3.20	NJ2218	207	265	3600	4300
	190	64.00	3.0	3.0	8.04	NU2318	325	395	2800	3400
	190	64.00	3.0	3.0	8.15	NJ2318	325	395	2800	3400
	140	37.00	1.5	1.5	2.05	NN3018	142	228	4500	5200
	160	52.40	2.0	2.0	4.50	NU5218XPC3	255	390	3200	3800
95	200	45.00	3.0	3.0	6.25	NUP319	258	289	3000	3600
	200	45.00	3.0	3.0	6.45	NJ319	258	289	3000	3600



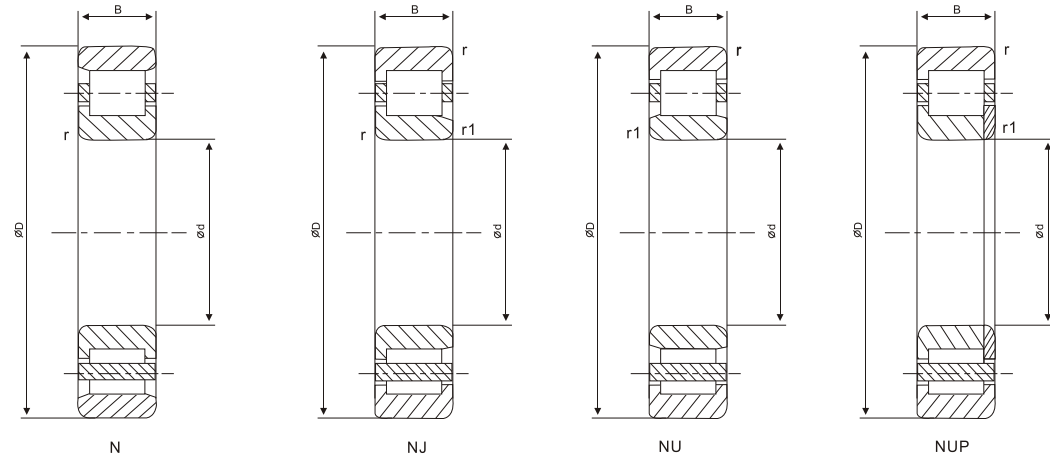
d	Principal dimensions (mm)				Weight Kg	Bearing Number	Basic Load Rating (kN)		Limiting Speed (rpm)	
	D	B	r _{min}	r _{min}			Dynamic Cr	Static Cor	Grease	Oil
95	240	55.00	4.0	4.0	13.60	NU419	400	445	2600	3200
	240	55.00	4.0	4.0	13.60	NJ419	400	445	2600	3200
	170	43.00	2.1	2.1	3.89	NU2219	230	298	3400	4000
	170	43.00	2.1	2.1	3.95	NJ2219	230	298	3400	4000
	200	67.00	3.0	3.0	9.38	NU2319	370	460	2600	3200
	200	67.00	3.0	3.0	9.85	NJ2319	370	460	2600	3200
	145	37.00	1.5	1.5	2.14	NN3019	150	246	4300	5000
	170	55.56	2.0	3.2	5.48	NU5219XPC3	277	445	3400	4000
100	180	34.00	2.1	2.1	3.36	N220	183	217	3400	4000
	180	34.00	2.1	2.1	3.45	NU220	183	217	3400	4000
	180	34.00	2.1	2.1	3.50	NJ220	183	217	3400	4000
	215	47.00	3.0	3.0	7.59	N320	300	335	2800	3400
	215	47.00	3.0	3.0	7.96	NU320	300	335	2800	3400
	215	47.00	3.0	3.0	7.65	NJ320	300	335	2800	3400
	250	58.00	4.0	4.0	15.50	NU420	445	500	2400	3000
	250	58.00	4.0	4.0	15.50	NJ420	445	500	2400	3000
105	180	46.00	2.1	2.1	4.68	NU2220	257	335	3200	3800
	180	46.00	2.1	2.1	4.80	NJ2220	257	335	3200	3800
	215	73.00	3.0	3.0	11.90	NU2320	435	545	2400	3000
	215	73.00	3.0	3.0	12.20	NJ2320	435	545	2400	3000
	150	37.00	1.5	1.5	2.25	NN3020	156	265	4000	4700
	180	60.32	2.1	4.0	7.69	NU5220XPC3	325	515	3200	3800
	190	36.00	2.1	2.1	4.00	N221	202	241	3200	3800
	190	36.00	2.1	2.1	4.10	NU221	202	241	3200	3800
110	225	49.00	3.0	3.0	8.69	N321	340	385	2600	3200
	225	49.00	3.0	3.0	8.68	NU321	340	385	2600	3200
	225	49.00	3.0	3.0	9.00	NJ321	340	385	2600	3200
	160	41.00	2.0	2.0	2.94	NN3021	197	320	3800	4400
	200	38.00	2.1	2.1	4.64	N222	240	290	3000	3600
	200	38.00	2.1	2.1	4.80	NU222	240	290	3000	3600
	200	38.00	2.1	2.1	4.90	NJ222	240	290	3000	3600
	240	50.00	3.0	3.0	10.30	N322	380	435	2400	3000
240	50.00	3.0	3.0	10.30	NU322	380	435	2400	3000	



d	Principal dimensions (mm)				Weight Kg	Bearing Number	Basic Load Rating (kN)		Limiting Speed (rpm)	
	D	B	r _{min}	r _{min}			Dynamic Cr	Static Cor	Grease	Oil
110	240	50.0	3.0	3.0	11.10	NJ322	380	435	2400	3000
	200	53.0	2.1	2.1	6.85	NJ2222	320	440	2800	3400
	240	80.0	3.0	3.0	18.60	NU2322	570	730	2000	2600
	240	80.0	3.0	3.0	18.90	NJ2322	570	730	2000	2600
	170	45.0	2.0	2.0	3.74	NN3022	227	375	3600	4200
120	215	40.0	2.1	2.1	5.63	N224	260	320	2800	3400
	215	40.0	2.1	2.1	5.75	NU224	260	320	2800	3400
	215	40.0	2.1	2.1	5.85	NJ224	260	320	2800	3400
	260	55.0	3.0	3.0	12.90	N324	445	510	2200	2800
	260	55.0	3.0	3.0	13.20	NU324	445	510	2200	2800
	260	55.0	3.0	3.0	13.50	NJ324	445	510	2200	2800
	215	58.0	2.1	2.1	8.38	NU2224	365	490	2600	3200
	215	58.0	2.1	2.1	8.50	NJ2224	365	490	2600	3200
	260	86.0	3.0	3.0	23.40	NU2324	710	915	1900	2400
	260	86.0	3.0	3.0	24.30	NJ2324	710	915	1900	2400
130	180	46.0	2.0	2.0	3.85	NN3024	238	405	3300	3900
	215	76.2	2.0	5.1	12.60	NU5224XPC3	500	845	2200	2800
	230	40.0	3.0	3.0	6.48	N226	270	340	2600	3200
	230	40.0	3.0	3.0	6.45	NU226	270	340	2600	3200
	230	40.0	3.0	3.0	6.60	NJ226	270	340	2600	3200
	280	58.0	4.0	4.0	17.70	N326	555	665	2000	2600
	280	58.0	4.0	4.0	16.00	NU326	555	665	2000	2600
	280	58.0	4.0	4.0	18.40	NJ326	555	665	2000	2600
	230	64.0	3.0	3.0	10.50	NU2226	380	530	2200	2800
	230	64.0	3.0	3.0	12.20	NJ2226	380	530	2200	2800
140	280	93.0	4.0	4.0	29.40	NU2326	790	1040	1800	2200
	280	93.0	4.0	4.0	30.50	NJ2326	790	1040	1800	2200
	200	52.0	2.0	2.0	5.54	NN3026	283	475	3000	3500
	300	62.0	4.0	4.0	21.70	N328	595	745	1900	2400
	300	62.0	4.0	4.0	19.60	NU328	595	745	1900	2400
	250	42.0	3.0	3.0	8.08	N228	310	420	2400	3000
	250	42.0	3.0	3.0	8.19	NU228	310	420	2400	3000
250	42.0	3.0	3.0	8.75	NJ228	310	420	2400	3000	
300	62.0	4.0	4.0	23.00	NJ328	595	745	1900	2400	



d	Principal dimensions (mm)				Weight Kg	Bearing Number	Basic Load Rating (kN)		Limiting Speed (rpm)	
	D	B	r _{min}	r _{min}			Dynamic Cr	Static Cor	Grease	Oil
140	250	68.0	3.0	3.0	13.30	NU2228	465	670	2000	2600
	250	68.0	3.0	3.0	15.30	NJ2228	465	670	2000	2600
	300	102.0	4.0	4.0	36.90	NU2328	920	1250	1800	2200
	300	102.0	4.0	4.0	37.50	NJ2328	920	1250	1800	2200
	210	53.0	2.0	2.0	6.05	NN3028	297	515	2800	3300
	250	82.5	3.0	5.1	18.30	NU5228XPC3	630	1060	2000	2600
150	270	45.0	3.0	3.0	10.40	N230	375	490	2000	2600
	270	45.0	3.0	3.0	10.40	NU230	375	490	2000	2600
	270	45.0	3.0	3.0	12.00	NJ230	375	490	2000	2600
	320	65.0	4.0	4.0	25.80	N330	660	805	1700	2000
	320	65.0	4.0	4.0	23.40	NU330	660	805	1700	2000
	320	65.0	4.0	4.0	28.00	NJ330	660	805	1700	2000
	270	73.0	3.0	3.0	20.30	NJ2230	545	800	1900	2400
	320	108.0	4.0	4.0	44.60	NU2330	1020	1400	1700	2000
	320	108.0	4.0	4.0	46.00	NJ2330	1020	1400	1700	2000
	225	56.0	2.1	2.1	7.75	NN3030	335	585	2600	3100
160	270	88.9	2.6	6.4	23.60	NU5230XPC3	925	1610	1800	2200
	290	48.0	3.0	3.0	14.10	N232	425	570	1800	2200
	290	48.0	3.0	3.0	14.40	NU232	425	570	1800	2200
	290	48.0	3.0	3.0	15.00	NJ232	425	570	1800	2200
	340	68.0	4.0	4.0	14.10	N332	695	875	1600	1900
	340	68.0	4.0	4.0	31.60	NU332	695	875	1600	1900
	340	68.0	4.0	4.0	33.50	NJ332	695	875	1600	1900
	290	80.0	3.0	3.0	24.10	NU2232	630	940	1800	2200
	290	48.0	3.0	3.0	24.50	NJ2232	630	940	1800	2200
	240	60.0	2.1	2.1	8.38	NN3032	370	660	2500	2900
170	310	52.0	4.0	4.0	17.40	N234	475	635	1800	2200
	310	52.0	4.0	4.0	17.70	NU234	475	635	1800	2200
	310	52.0	4.0	4.0	19.50	NJ234	475	635	1800	2200
	360	72.0	4.0	4.0	36.60	N334	795	1010	1600	1800
	360	72.0	4.0	4.0	37.50	NU334	795	1010	1600	1800
	360	72.0	4.0	4.0	38.40	NJ334	795	1010	1600	1800
	310	86.0	4.0	4.0	29.40	NU2234	725	1100	1800	2200
	260	67.0	2.1	2.1	13.30	NN3034	450	805	2300	2700



d	Principal dimensions (mm)				Weight Kg	Bearing Number	Basic Load Rating (kN)		Limiting Speed (rpm)	
	D	B	r _{1min}	r _{min}			Dynamic Cr	Static Cor	Grease	Oil
180	320	52	4.0	4.0	18.1	N236	490	675	1700	2000
	320	52	4.0	4.0	18.4	NU236	490	675	1700	2000
	320	52	4.0	4.0	20.2	NJ236	490	675	1700	2000
	380	75	4.0	4.0	42.6	N336	900	1150	1500	1800
	280	74	2.1	2.1	16.9	NN3036	560	995	2100	2500
190	340	55	4.0	4.0	22.0	N238	550	770	1600	1900
	340	55	4.0	4.0	22.3	NU238	555	770	1600	1900
	340	55	4.0	4.0	24.5	NJ238	555	770	1600	1900
200	290	75	2.1	2.1	18.0	NN3038	590	1080	2000	2400
	360	58	4.0	4.0	26.2	N240	615	865	1500	1800
	360	58	4.0	4.0	26.6	NU240	615	865	1500	1800
	360	58	4.0	4.0	29.0	NJ240	615	865	1500	1800
220	310	82	2.1	2.1	22.1	NN3040	650	1170	1900	2200
	400	65	4.0	4.0	37.0	N244	760	1080	1500	1700
	400	65	4.0	4.0	39.0	NJ244	760	1080	1500	1700
	400	65	4.0	4.0	37.3	NU244	760	1080	1500	1700
	340	90	3.0	3.0	31.0	NN3044	810	1480	1700	2000
240	360	92	3.0	3.0	31.6	NN3048	850	1600	1600	1900
	440	146	4.0	4.0	104.0	NU5248/P5	2040	3820	1100	1400
260	400	104	4.0	4.0	46.2	NN3052	1080	2070	1400	1700
280	420	106	4.0	4.0	52.3	NN3056	1080	2080	1300	1600
300	460	118	4.0	4.0	77.9	NN3060	143	274	1200	1400
320	480	121	4.0	4.0	74.2	NN3064	143	275	1200	1400
340	520	133	5.0	5.0	99.3	NN3068	167	330	1000	1200
360	540	134	5.0	5.0	104.0	NN3072	170	345	950	1200
380	560	135	5.0	5.0	110.0	NN3076	169	345	940	1100